

# ANDERSEN CORPORATION

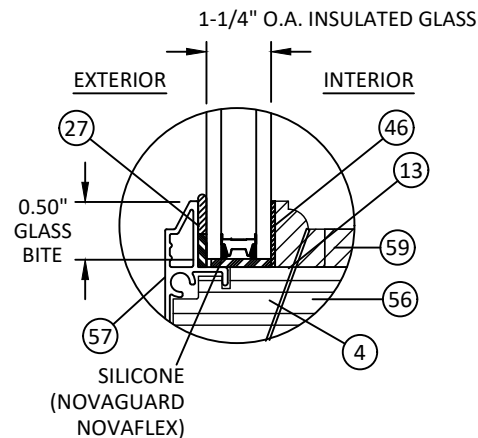
## E-SERIES SPECIALTY (AUXILIARY) FIXED WINDOW (NON-HVHZ)(NON-IMPACT)



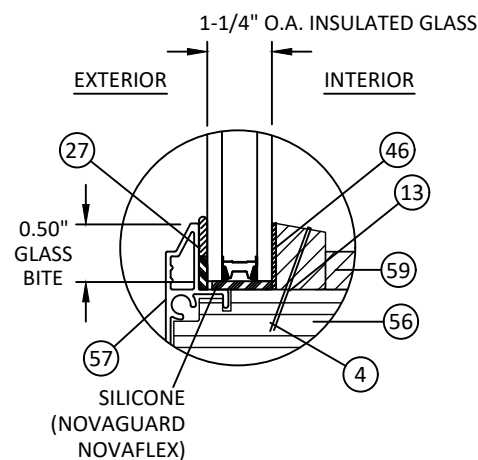
100 FOURTH AVE NORTH  
BAYPORT, MN 55003-1096  
PH: (651) 264-5150 FX: (651) 264-5485

**GENERAL NOTES:**

- THE PRODUCT SHOWN HEREIN IS DESIGNED AND MANUFACTURED TO COMPLY WITH THE CURRENT FLORIDA BUILDING CODE (FBC), **EXCLUDING** HVHZ AND HAS BEEN EVALUATED ACCORDING TO THE FOLLOWING:
  - AAMA/WDMA/CSA 101/I.S.2/A440-08/11
  - ASTM E330-02
- ADEQUACY OF THE EXISTING STRUCTURAL CONCRETE/MASONRY, 2X AND METAL STUD FRAMING AS A MAIN WIND FORCE RESISTING SYSTEM CAPABLE OF WITHSTANDING AND TRANSFERRING APPLIED PRODUCT LOADS TO THE FOUNDATION IS THE RESPONSIBILITY OF THE ENGINEER OR ARCHITECT OF RECORD FOR THE PROJECT OF INSTALLATION.
- 1X AND 2X BUCKS (WHEN USED) SHALL BE DESIGNED AND ANCHORED TO PROPERLY TRANSFER ALL LOADS TO THE STRUCTURE. BUCK DESIGN AND INSTALLATION IS THE RESPONSIBILITY OF THE ENGINEER OR ARCHITECT OF RECORD FOR THE PROJECT OF INSTALLATION.
- THE INSTALLATION DETAILS DESCRIBED HEREIN ARE GENERIC AND MAY NOT REFLECT ACTUAL CONDITIONS FOR A SPECIFIC SITE. IF SITE CONDITIONS CAUSE INSTALLATION TO DEVIATE FROM THE REQUIREMENTS DETAILED HEREIN, A LICENSED ENGINEER OR ARCHITECT SHALL PREPARE SITE SPECIFIC DOCUMENTS FOR USE WITH THIS DOCUMENT.
- APPROVED IMPACT PROTECTIVE SYSTEM **IS REQUIRED** TO PROTECT THIS PRODUCT IN AREAS REQUIRING IMPACT RESISTANCE.
- WINDOW FRAME MATERIAL: *ALUMINUM CLAD WOOD.*
- MULLION MATERIAL: *LAMINATED VENEER LUMBER*
- GLASS MEETS THE REQUIREMENTS OF ASTM E1300. SEE GLAZING DETAILS ON SHEET 1.
- DESIGNATIONS "X" AND "O" STAND FOR THE FOLLOWING:  
X: OPERABLE PANEL  
O: FIXED PANEL
- CUSTOM SIZES AVAILABLE UPON REQUEST. CUSTOM DESIGN PRESSURE WILL BE ASSIGNED EQUAL TO NEXT LARGER STANDARD SIZE.



**GLAZING DETAIL 1**  
SHOWN WITH COLONIAL GLASS STOP



**GLAZING DETAIL 2**  
SHOWN WITH CONTEMPORARY GLASS STOP

- GLAZING NOTES:**
- GLASS TYPE & THICKNESS SHALL COMPLY WITH ASTM E1300 REQUIREMENTS AS WELL AS APPLICABLE SAFETY GLAZING REQUIREMENTS PER THE FBC. TEMPER AND SAFETY GLAZING REQUIREMENTS SHALL BE REVIEWED ON A SITE SPECIFIC BASIS.
  - SETTING BLOCK DUROMETER HARDNESS OF 70-90 (SHORE A) AS REFERENCED IN FBC CHAPTER 24.
  - SETTING BLOCKS TO BE LOCATED AT 1/4 SPAN LENGTH FOR GLASS WIDER THAN 36" AS PER FBC CHAPTER 24.
  - D.L.O. AND DESIGN PRESSURES MAY NOT EXCEED MAX VALUES IN DESIGN PRESSURE TABLES ON SHEET 1.

| WINDOW TYPE | CONFIGURATION | OVERALL AUXILIARY WINDOW SIZE |              | OVERALL D.L.O. DIMENSION |              | GLASS TYPE | DESIGN PRESSURE (PSF) |      |
|-------------|---------------|-------------------------------|--------------|--------------------------|--------------|------------|-----------------------|------|
|             |               | WIDTH (IN.)                   | HEIGHT (IN.) | WIDTH (IN.)              | HEIGHT (IN.) |            | POS.                  | NEG. |
| SINGLE      | 'O'           | 60.0                          | 96.0         | 56.13                    | 92.13        | G1,G2      | +75                   | -75  |
| SINGLE      | 'O'           | 54.0                          | 144.0        | 50.13                    | 140.13       | G1,G2      | +55                   | -55  |
| MULLED      | 'OO' OR 'O/O' | 60.0                          | 96.0         | 56.13                    | 92.13        | G1,G2      | +75                   | -75  |
| MULLED      | 'OO' OR 'O/O' | 96.0                          | 60.0         | 92.13                    | 56.13        | G1,G2      | +75                   | -75  |
| MULLED      | 'OO' OR 'O/O' | 60.0                          | 60.0         | 56.13                    | 56.13        | G1,G2      | +70                   | -70  |
| MULLED      | 'OO' OR 'O/O' | 40.0                          | 60.0         | 36.13                    | 56.13        | G1,G2      | +56                   | -56  |

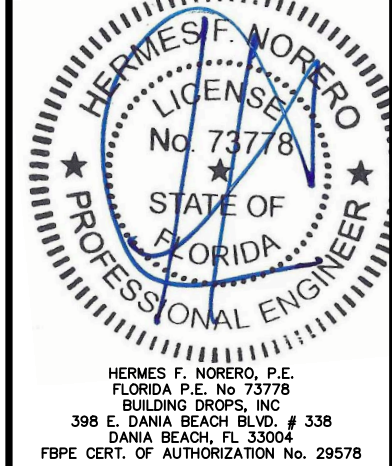
NOTES: VINYL NAILING FLANGE INSTALLATIONS ARE LIMITED TO UNITS EQUAL TO OR LESS THAN DP +50/-50 AND SINGLE UNITS OR ASSEMBLIES LESS THAN 30 SQUARE FEET.

| SHEET | REVISION | SHEET DESCRIPTION                            |
|-------|----------|--|
| 1     | B        | GENERAL NOTES AND GLAZING DETAILS            |
| 2     | B        | ELEVATIONS AND QUALIFIED CONFIGURATIONS      |
| 3     | B        | MULLED ELEVATIONS                            |
| 4     | B        | ANCHOR LAYOUTS                               |
| 5     | B        | MULLED ANCHOR LAYOUTS                        |
| 6     | B        | VERTICAL SECTIONS                            |
| 7     | B        | MULLION VERTICAL SECTIONS                    |
| 8     | B        | HORIZONTAL SECTIONS                          |
| 9     | B        | MULLION HORIZONTAL SECTIONS                  |
| 10    | B        | ANCHOR DETAILS                               |
| 11    | B        | COMPONENTS AND BILL OF MATERIALS             |
| 12    | B        | ZERO MULLION LOADS TABLE - ONE WAY           |
| 13    | B        | ZERO MULLION LOADS TABLE - TWO WAY           |
| 14    | B        | 1/2" x 3-1/2" MULLION LOADS TABLE - ONE WAY  |
| 15    | B        | 1/2" x 3-1/2" MULLION LOADS TABLE - TWO WAY  |
| 16    | B        | 1/2" x 5-3/16" MULLION LOADS TABLE - ONE WAY |
| 17    | B        | 1/2" x 5-3/16" MULLION LOADS TABLE - TWO WAY |
| 18    | B        | 3/4" x 3-1/2" MULLION LOADS TABLE - ONE WAY  |
| 19    | B        | 3/4" x 3-1/2" MULLION LOADS TABLE - TWO WAY  |
| 20    | B        | 3/4" x 5-3/16" MULLION LOADS TABLE - ONE WAY |
| 21    | B        | 3/4" x 5-3/16" MULLION LOADS TABLE - TWO WAY |
| 22    | B        | 1" x 3-1/2" MULLION LOADS TABLE - ONE WAY    |
| 23    | B        | 1" x 3-1/2" MULLION LOADS TABLE - TWO WAY    |
| 24    | B        | 1" x 5-3/16" MULLION LOADS TABLE - ONE WAY   |
| 25    | B        | 1" x 5-3/16" MULLION LOADS TABLE - TWO WAY   |
| 26    | B        | 2" x 3-1/2" MULLION LOADS TABLE - ONE WAY    |
| 27    | B        | 2" x 3-1/2" MULLION LOADS TABLE - TWO WAY    |
| 28    | B        | 2" x 5-3/16" MULLION LOADS TABLE - ONE WAY   |
| 29    | B        | 2" x 5-3/16" MULLION LOADS TABLE - TWO WAY   |

TITLE: E-SERIES SPECIALTY (AUXILIARY) FIXED WINDOW (NON-HVHZ) (NON-IMPACT)  
GENERAL NOTES AND GLAZING DETAILS  
PREPARED BY: BUILDING DROPS, INC.  
398 E. DANIA BEACH BLVD., STE. 338  
DANIA BEACH, FL 33004  
PH: (954) 395-8478  
FAX: (954) 744-4738  
WEB: www.buildingdrops.com

| REMARKS                | BY | DATE    |
|------------------------|----|---------|
| 1/2" LVL MULL ADDITION | HR | 4.3.19  |
| ADDED MULL & DP CHARTS | LL | 7.15.19 |

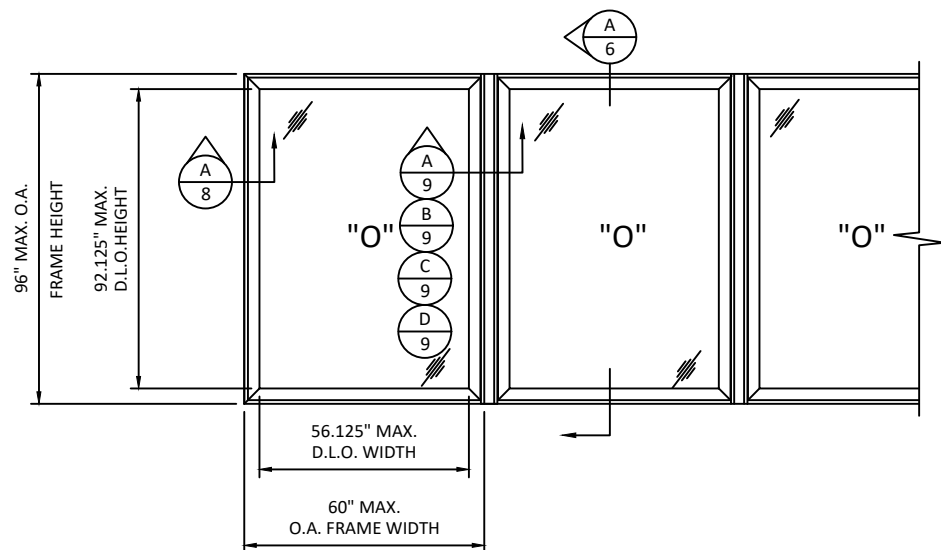
THE INSTALLATION DETAILS DESCRIBED HEREIN ARE GENERIC AND MAY NOT REFLECT ACTUAL CONDITIONS FOR A SPECIFIC SITE. IF SITE CONDITIONS CAUSE INSTALLATION TO DEVIATE FROM THE REQUIREMENTS DETAILED HEREIN, A LICENSED ENGINEER OR ARCHITECT SHALL PREPARE SITE SPECIFIC DOCUMENTS FOR USE WITH THIS DOCUMENT.



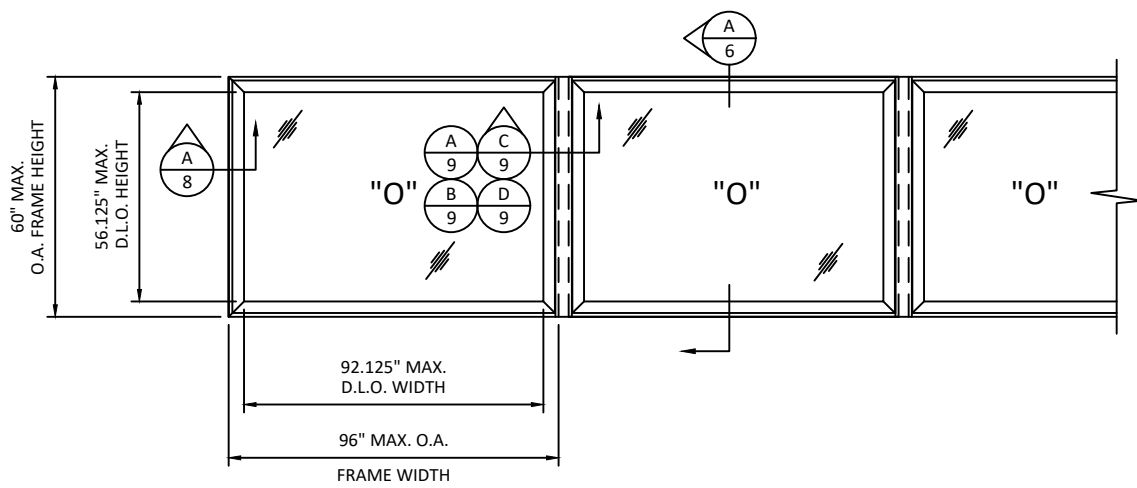
FL #: **FL24230**  
DATE: **10.12.17**  
DWG. BY: **AG** CHK. BY: **HFN**  
SCALE: **NTS**  
DWG. #: **AWD208**  
SHEET: **1** OF 29



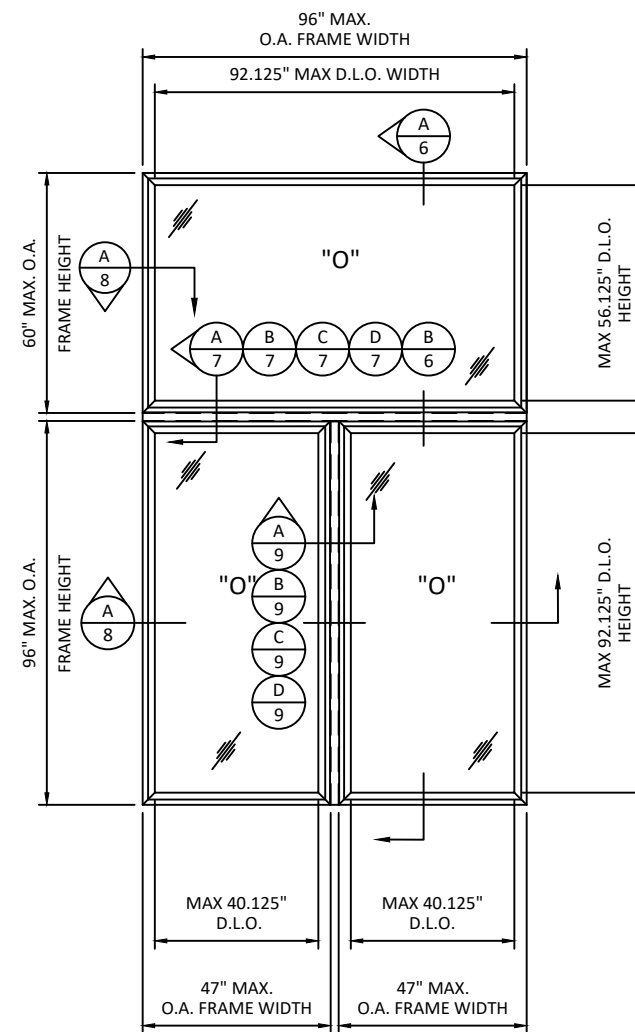
8/16/2019 5:26 PM  
 s:\projects\andersen\windows\lbc-19-0548-2 - fbc submittal - e-series mullion revisions\dwgs\174230.1 & .12\awd208 - fl1540-auxiliary fixed-non-impact-(hvhz).dwg



**ELEVATION**  
**MULLED UNITS**  
**HORIZONTAL CONFIGURATION**



**ELEVATION**  
**MULLED UNITS**  
**HORIZONTAL CONFIGURATION**



**ELEVATION**  
**MULLED UNITS**  
**HORIZONTAL WITH TRANSOM CONFIGURATION**



100 FOURTH AVE NORTH  
 BAYPORT, MN 55003-1096  
 PH: (651) 264-5150 FX: (651) 264-5485

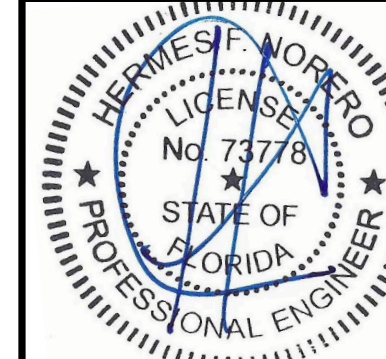
TITLE: E-SERIES SPECIALTY (AUXILIARY) FIXED WINDOW (NON-HVHZ) (NON-IMPACT)

MULLED ELEVATIONS

PREPARED BY:  
**BUILDING DROPS, INC.**  
 398 E. DANIA BEACH BLVD., STE. 338  
 DANIA BEACH, FL 33004  
 PH: (954) 399-8478  
 FAX: (954) 744-4738  
 WEB: www.buildingdrops.com

| REMARKS                | BY | DATE    |
|------------------------|----|---------|
| 1/2" LVL MULL ADDITION | HR | 4.3.19  |
| ADDED MULL & DP CHARTS | LL | 7.15.19 |
|                        |    |         |

THE INSTALLATION DETAILS DESCRIBED HEREIN ARE GENERIC AND MAY NOT REFLECT ACTUAL CONDITIONS FOR A SPECIFIC SITE. IF SITE CONDITIONS CAUSE INSTALLATION TO DEVIATE FROM THE REQUIREMENTS DETAILED HEREIN, A LICENSED ENGINEER OR ARCHITECT SHALL PREPARE SITE SPECIFIC DOCUMENTS FOR USE WITH THIS DOCUMENT.



HERMES F. NORERO, P.E.  
 FLORIDA P.E. No. 73778  
 BUILDING DROPS, INC  
 398 E. DANIA BEACH BLVD. # 338  
 DANIA BEACH, FL 33004  
 FBPE CERT. OF AUTHORIZATION No. 29578

FL #: **FL24230**

DATE: **10.12.17**

DWG. BY: **AG**      CHK. BY: **HFN**

SCALE: **NTS**

DWG. #: **AWD208**

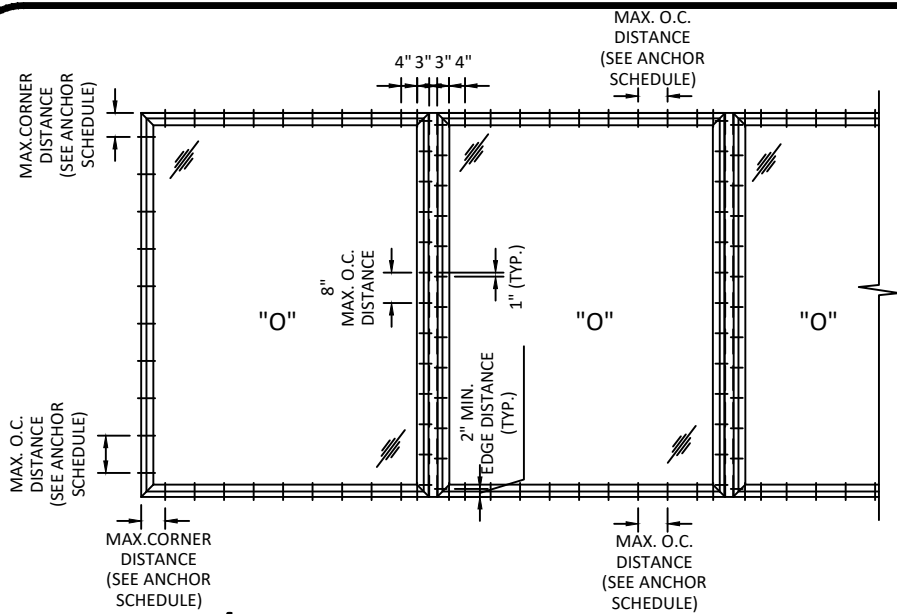
SHEET:  
**3**  
 OF 29



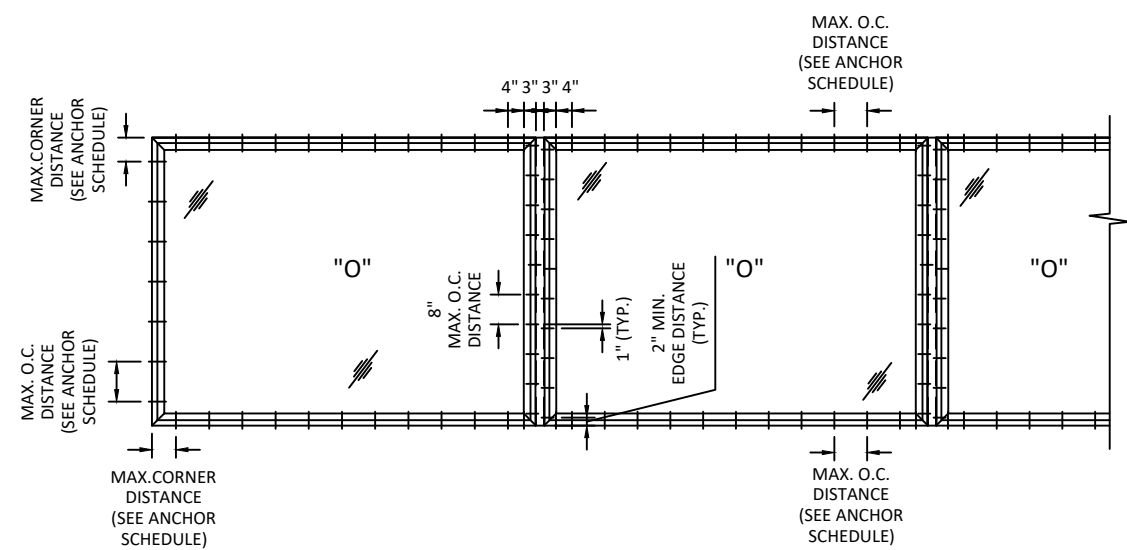




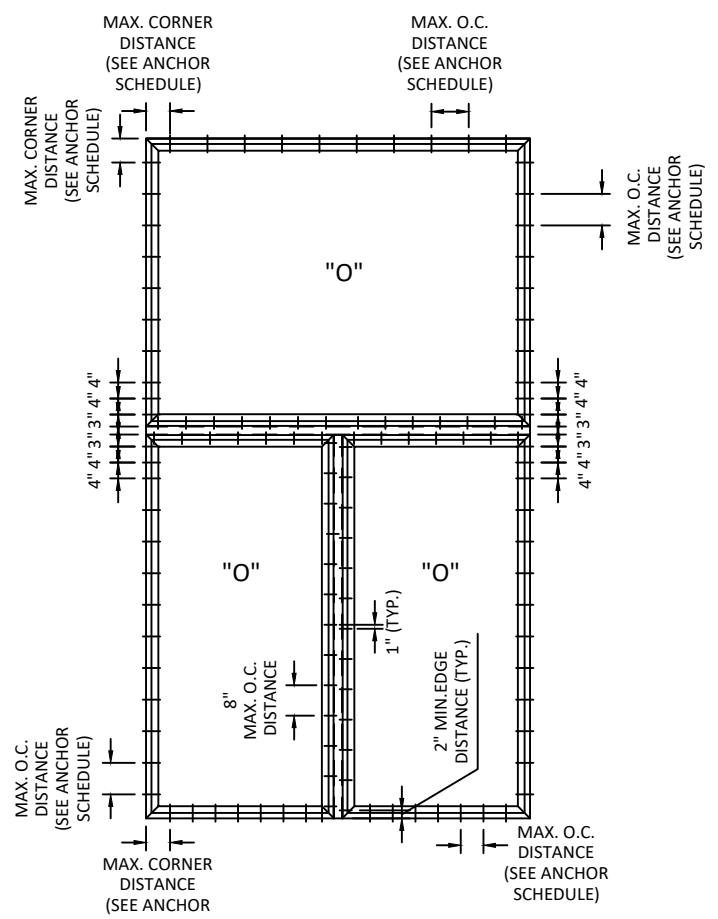
8/16/2019 5:26 PM



**STRAP/FASTENER THROUGH FRAME ANCHORING**  
**MULLED UNIT**  
**HORIZONTAL CONFIGURATION**



**STRAP/FASTENER THROUGH FRAME ANCHORING**  
**MULLED UNIT**  
**HORIZONTAL CONFIGURATION**




**STRAP/FASTENER THROUGH FRAME ANCHORING**  
**MULLED UNIT**  
**HORIZONTAL WITH TRANSOM CONFIGURATION**

**NOTE :**  
 FOR MORE ANCHOR INFORMATION (INSTALLATION TYPE, SPACING, QUANTITY, ANCHOR TYPE, QUALIFIED SUBSTRATES) SEE SHEET 10



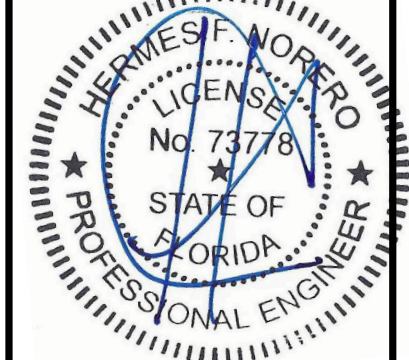
100 FOURTH AVE NORTH  
 BAYPORT, MN 55003-1096  
 PH: (651) 264-5150 FX: (651) 264-5485

TITLE: E-SERIES SPECIALTY (AUXILIARY) FIXED WINDOW (NON-FVHZ) (NON-IMPACT)  
 MULLED ANCHOR LAYOUT

PREPARED BY:  BUILDING DROPS, INC.  
 398 E. DANIA BEACH BLVD., STE. 338  
 DANIA BEACH, FL 33004  
 PH: (954) 399-8478  
 FAX: (954) 744-4738  
 WEB: www.buildingdrops.com

| REMARKS                | BY | DATE    |
|------------------------|----|---------|
| 1/2" LVL MULL ADDITION | HR | 4.3.19  |
| ADDED MULL & DP CHARTS | LL | 7.15.19 |
|                        |    |         |

THE INSTALLATION DETAILS DESCRIBED HEREIN ARE GENERIC AND MAY NOT REFLECT ACTUAL CONDITIONS FOR A SPECIFIC SITE. IF SITE CONDITIONS CAUSE INSTALLATION TO DEVIATE FROM THE REQUIREMENTS DETAILED HEREIN, A LICENSED ENGINEER OR ARCHITECT SHALL PREPARE SITE SPECIFIC DOCUMENTS FOR USE WITH THIS DOCUMENT.



HERMES F. NORERO, P.E.  
 FLORIDA P.E. No. 73778  
 BUILDING DROPS, INC  
 398 E. DANIA BEACH BLVD. # 338  
 DANIA BEACH, FL 33004  
 FBPE CERT. OF AUTHORIZATION No. 29578

FL #: **FL24230**

DATE: **10.12.17**

DWG. BY: **AG** CHK. BY: **HFN**

SCALE: **NTS**

DWG. #: **AWD208**

SHEET: **5**  
 OF 29

s:\projects\andersen\_windows\lbc-19-0548-2 - fbc submittal - e-series mullion\_revisions\dwgs\174230.1 & .12\awd208 - fl1540-auxiliary fixed-non-impact-(hvnz).ldwg

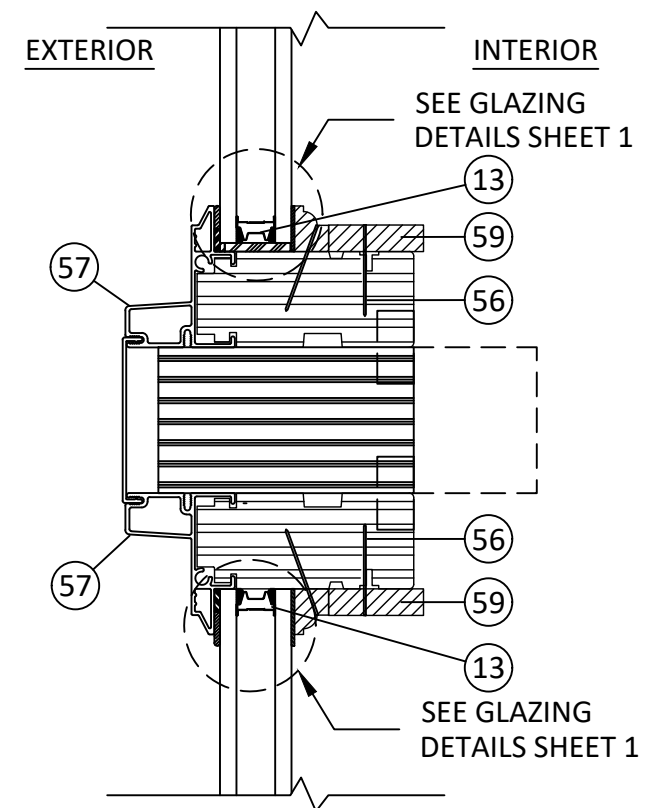
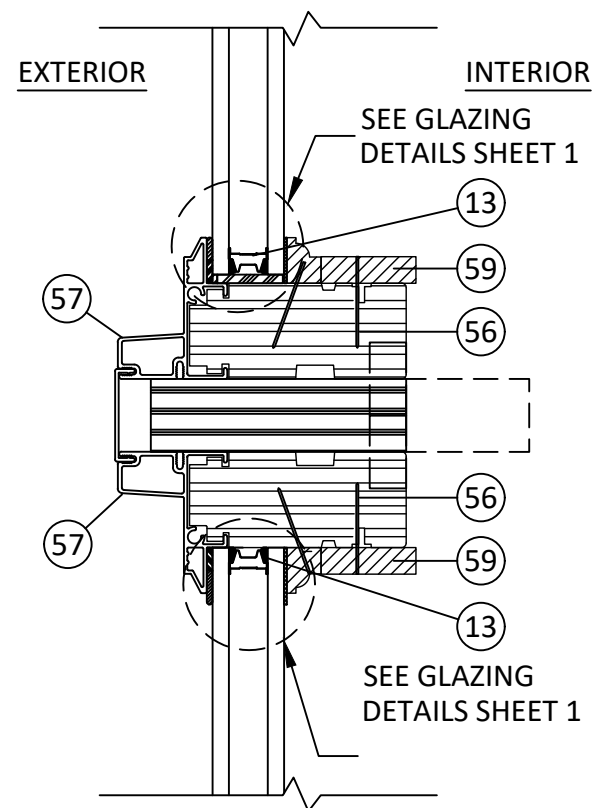
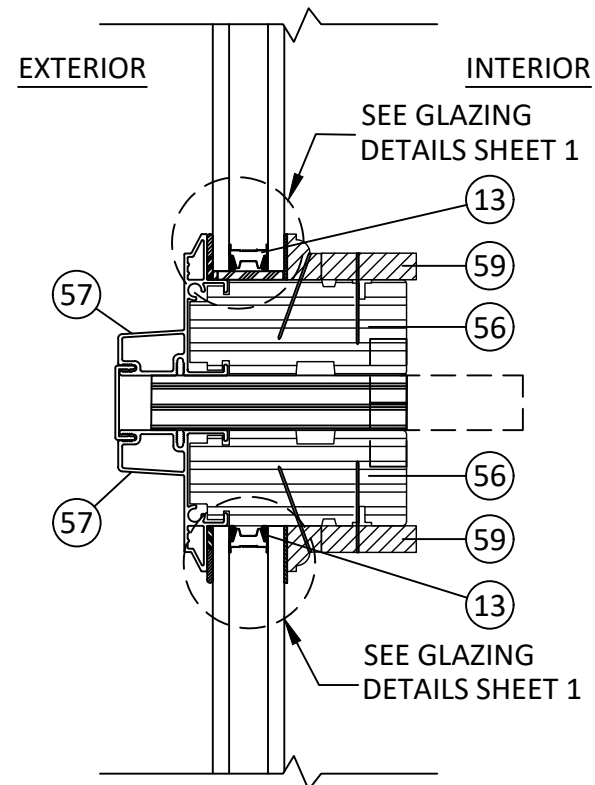
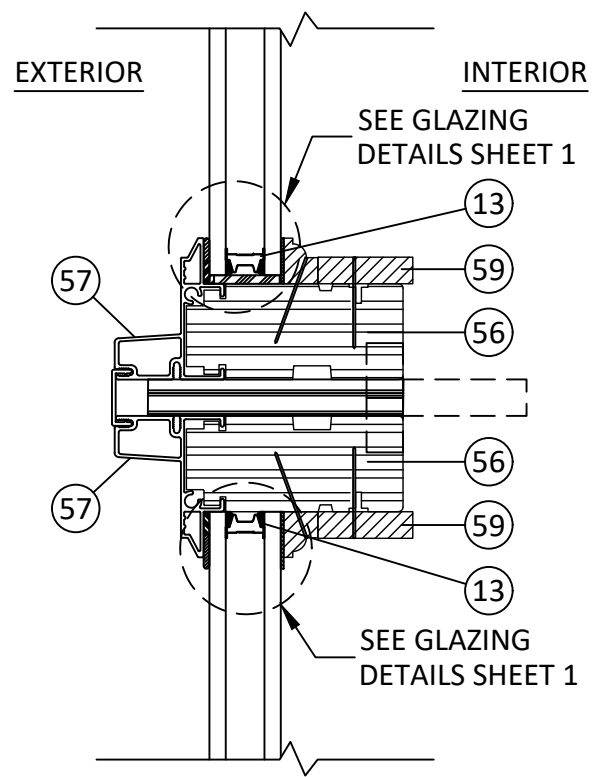
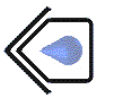




100 FOURTH AVE NORTH  
BAYPORT, MN 55003-1096  
PH: (651) 264-5150 FX: (651) 264-5485

TITLE: E-SERIES SPECIALTY (AUXILIARY) FIXED WINDOW (NON-HVHZ) (NON-IMPACT)  
MULLION VERTICAL SECTIONS

PREPARED BY:  
**BUILDING DROPS, INC.**  
398 E. DANIA BEACH BLVD., STE. 338  
DANIA BEACH, FL 33004  
PH: (954) 399-8478  
FAX: (954) 744-4738  
WEB: www.buildingdrops.com



**A**  
**7**  
**VERTICAL SECTION**  
INSULATED GLASS  
1/2" x 3 1/2" MULLION  
OR 1/2" x 5 3/16"

**B**  
**7**  
**VERTICAL SECTION**  
INSULATED GLASS  
3/4" x 3 1/2" MULLION  
OR 3/4" x 5 3/16"

**C**  
**7**  
**VERTICAL SECTION**  
INSULATED GLASS  
1" x 3 1/2" MULLION  
OR 1" x 5 3/16"

**D**  
**7**  
**VERTICAL SECTION**  
INSULATED GLASS  
2" x 3 1/2" MULLION  
OR 2" x 5 3/16"

NOTE : LVL MULLS BETWEEN JAMBS MAY BE  
3 1/2" OR 5 3/16" IN DEPTH AS  
REPRESENTED BY DASHED LINES

| REMARKS                | BY | DATE    |
|------------------------|----|---------|
| 1/2" LVL MULL ADDITION | HR | 4.3.19  |
| ADDED MULL & DP CHARTS | LL | 7.15.19 |
|                        |    |         |

THE INSTALLATION DETAILS DESCRIBED HEREIN ARE GENERIC AND MAY NOT REFLECT ACTUAL CONDITIONS FOR A SPECIFIC SITE. IF SITE CONDITIONS CAUSE INSTALLATION TO DEVIATE FROM THE REQUIREMENTS DETAILED HEREIN, A LICENSED ENGINEER OR ARCHITECT SHALL PREPARE SITE SPECIFIC DOCUMENTS FOR USE WITH THIS DOCUMENT.



HERMES F. NORERO, P.E.  
FLORIDA P.E. No. 73778  
BUILDING DROPS, INC.  
398 E. DANIA BEACH BLVD., # 338  
DANIA BEACH, FL 33004  
FBPE CERT. OF AUTHORIZATION No. 29578

|          |                 |
|----------|-----------------|
| FL #:    | <b>FL24230</b>  |
| DATE:    | <b>10.12.17</b> |
| DWG. BY: | <b>AG</b>       |
| CHK. BY: | <b>HFN</b>      |
| SCALE:   | <b>NTS</b>      |
| DWG. #:  | <b>AWD208</b>   |

SHEET:  
**7**  
OF 29

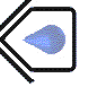
8/6/2019 5:26 PM  
s:\projects\andersen windows\lbc-19-0548-2 - fbc submittal - e-series mullion revisions\lbc-19-0548-2 - fbc submittal - e-series mullion fixed-non-impact-fhvz.dwg

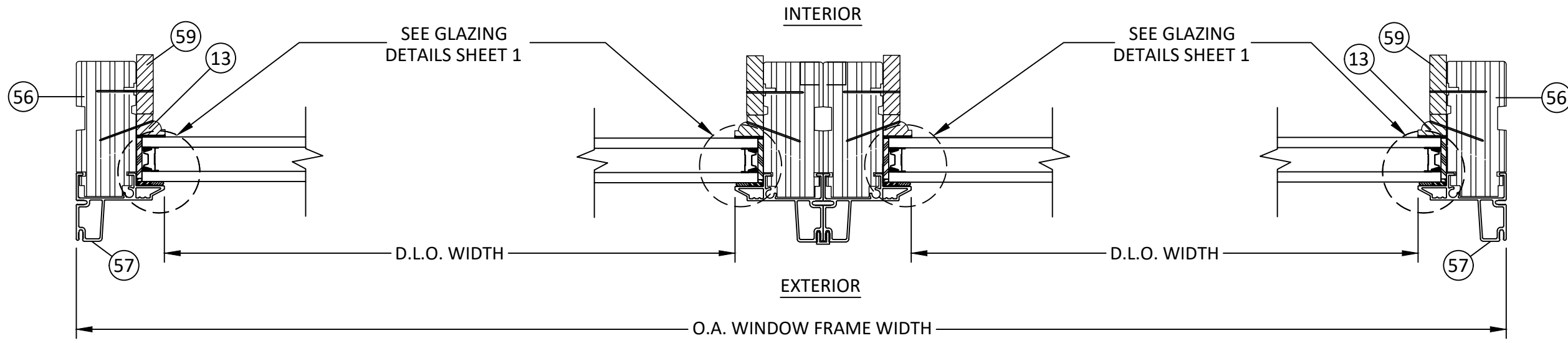




100 FOURTH AVE NORTH  
BAYPORT, MN 55003-1096  
PH: (651) 264-5150 FX: (651) 264-5485

TITLE: E-SERIES SPECIALTY (AUXILIARY) FIXED WINDOW (NON-HVHZ) (NON-IMPACT)  
HORIZONTAL SECTIONS

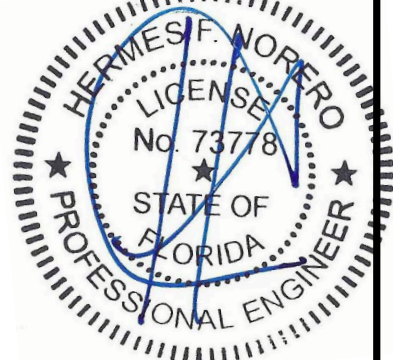
PREPARED BY:  
  
**BUILDING DROPS, INC.**  
398 E. DANIA BEACH BLVD., STE. 338  
DANIA BEACH, FL 33004  
PH: (954) 399-8478  
FAX: (954) 744-4738  
WEB: www.buildingdrops.com



**A**  
**8** **HORIZONTAL SECTION**  
INSULATED GLASS  
ZERO MULLION

| REMARKS                | BY | DATE    |
|------------------------|----|---------|
| 1/2" LVL MULL ADDITION | HR | 4.3.19  |
| ADDED MULL & DP CHARTS | LL | 7.15.19 |
|                        |    |         |

THE INSTALLATION DETAILS DESCRIBED HEREIN ARE GENERIC AND MAY NOT REFLECT ACTUAL CONDITIONS FOR A SPECIFIC SITE. IF SITE CONDITIONS CAUSE INSTALLATION TO DEVIATE FROM THE REQUIREMENTS DETAILED HEREIN, A LICENSED ENGINEER OR ARCHITECT SHALL PREPARE SITE SPECIFIC DOCUMENTS FOR USE WITH THIS DOCUMENT.



HERMES F. NORERO, P.E.  
FLORIDA P.E. No. 73778  
BUILDING DROPS, INC  
398 E. DANIA BEACH BLVD. # 338  
DANIA BEACH, FL 33004  
FBPE CERT. OF AUTHORIZATION No. 29578

FL #: **FL24230**

DATE: **10.12.17**

DWG. BY: **AG**      CHK. BY: **HFN**

SCALE: **NTS**

DWG. #: **AWD208**

SHEET:  
**8**

s:\projects\andersen windows\lbc-19-0548-2 - fbc submittal - e-series mullion revisions\dwgs\174230.1 & .12\awd208 - fl1540-auxiliary fixed-non-impact-(hvnz).dwg 8/6/2019 5:26 PM



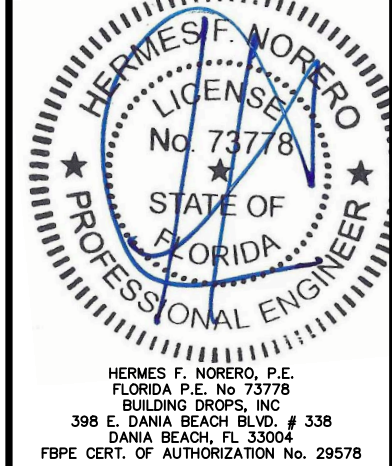
100 FOURTH AVE NORTH  
BAYPORT, MN 55003-1096  
PH: (651) 264-5150 FX: (651) 264-5485

TITLE: E-SERIES SPECIALTY (AUXILIARY) FIXED WINDOW (NON-HVHZ) (NON-IMPACT)  
MULLION HORIZONTAL SECTIONS

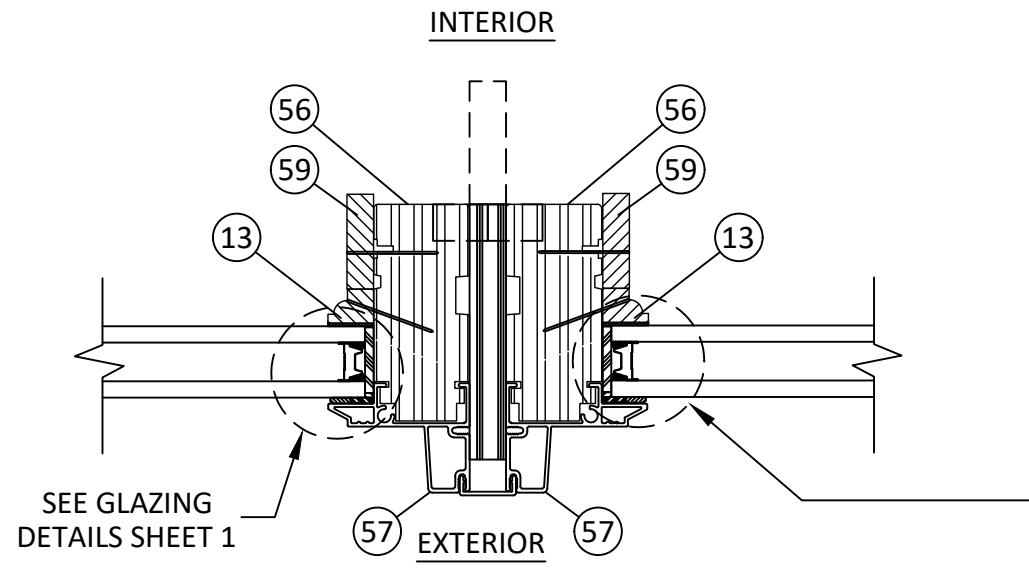
PREPARED BY:  
  
BUILDING DROPS, INC.  
398 E. DANIA BEACH BLVD., STE. 338  
DANIA BEACH, FL 33004  
PH: (954) 399-8478  
FAX: (954) 744-4738  
WEB: www.buildingdrops.com

| REMARKS                | BY | DATE    |
|------------------------|----|---------|
| 1/2" LVL MULL ADDITION | HR | 4.3.19  |
| ADDED MULL & DP CHARTS | LL | 7.15.19 |
|                        |    |         |

THE INSTALLATION DETAILS DESCRIBED HEREIN ARE GENERIC AND MAY NOT REFLECT ACTUAL CONDITIONS FOR A SPECIFIC SITE. IF SITE CONDITIONS CAUSE INSTALLATION TO DEVIATE FROM THE REQUIREMENTS DETAILED HEREIN, A LICENSED ENGINEER OR ARCHITECT SHALL PREPARE SITE SPECIFIC DOCUMENTS FOR USE WITH THIS DOCUMENT.

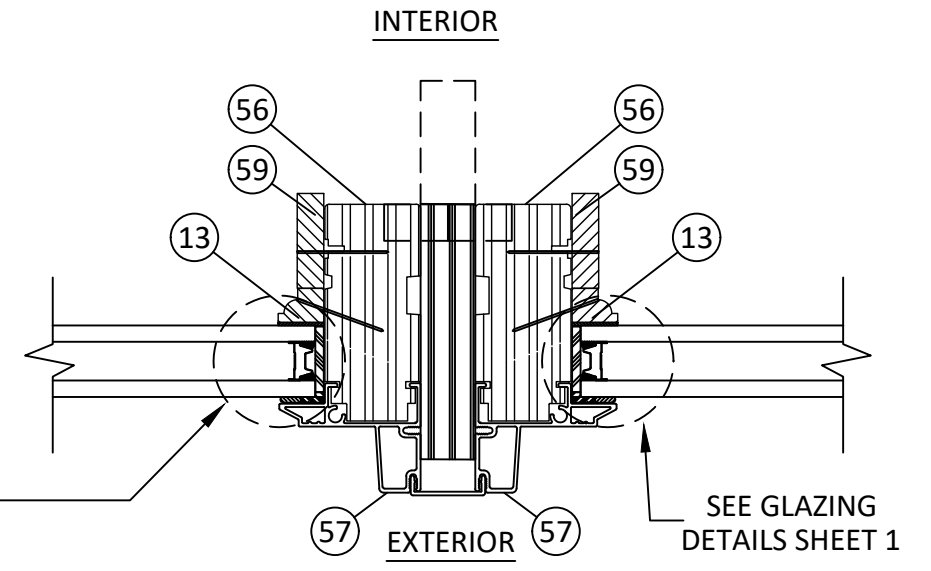


|          |                 |
|----------|-----------------|
| FL #:    | <b>FL24230</b>  |
| DATE:    | <b>10.12.17</b> |
| DWG. BY: | <b>AG</b>       |
| CHK. BY: | <b>HFN</b>      |
| SCALE:   | <b>NTS</b>      |
| DWG. #:  | <b>AWD208</b>   |
| SHEET:   | <b>9</b>        |



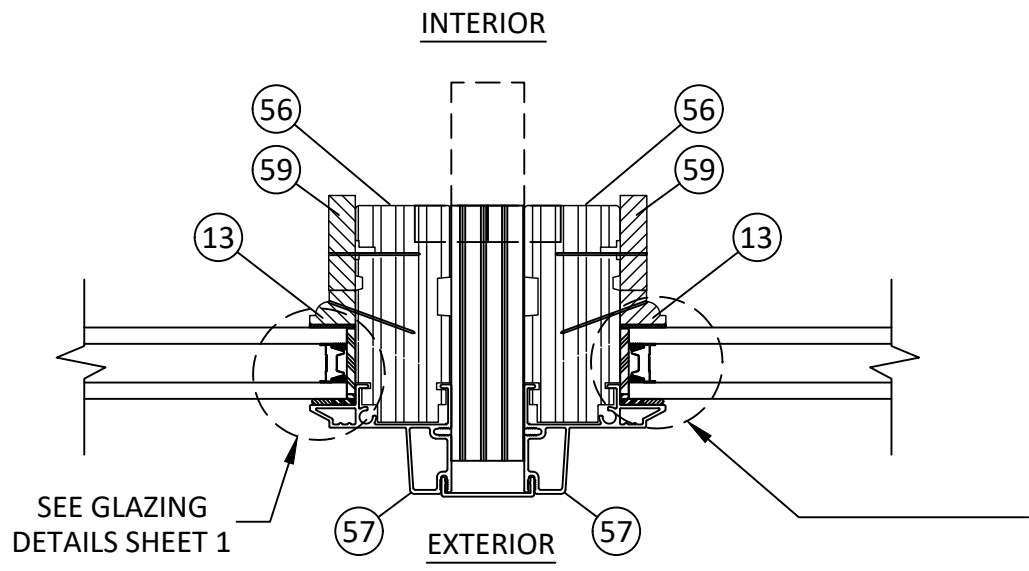
**A**  
**9** **HORIZONTAL SECTION**  
INSULATED GLASS  
1/2" x 3 1/2" MULLION  
OR 1/2" x 5 3/16"

SEE GLAZING  
DETAILS SHEET 1



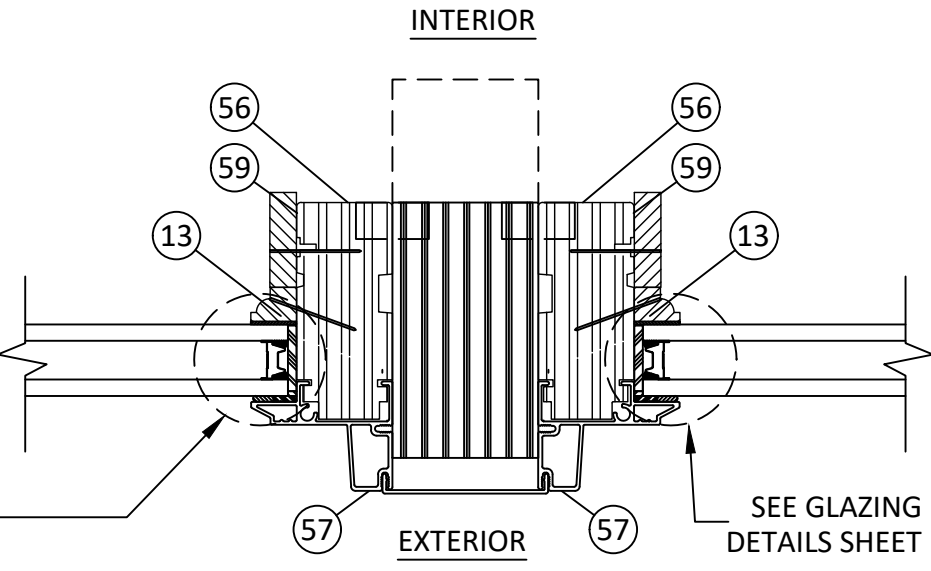
**B**  
**9** **HORIZONTAL SECTION**  
INSULATED GLASS  
3/4" x 3 1/2" MULLION  
OR 3/4" x 5 3/16"

SEE GLAZING  
DETAILS SHEET 1



**C**  
**9** **HORIZONTAL SECTION**  
INSULATED GLASS  
1" x 3 1/2" MULLION  
OR 1" x 5 3/16"

SEE GLAZING  
DETAILS SHEET 1



**D**  
**9** **HORIZONTAL SECTION**  
INSULATED GLASS  
2" x 3 1/2" MULLION  
OR 2" x 5 3/16"

SEE GLAZING  
DETAILS SHEET 1

NOTE : LVL MULLS BETWEEN JAMBS MAY BE  
3 1/2" OR 5 3/16" IN DEPTH AS  
REPRESENTED BY DASHED LINES

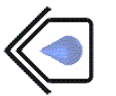


100 FOURTH AVE NORTH  
BAYPORT, MN 55003-1096  
PH: (651) 264-5150 FX: (651) 264-5485

TITLE: E-SERIES SPECIALTY (AUXILIARY) FIXED WINDOW (NON-HVHZ) (NON-IMPACT)

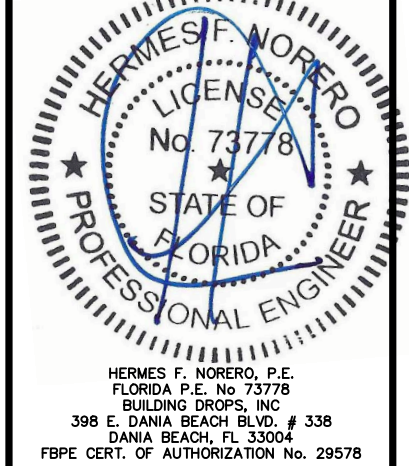
ANCHOR DETAILS

PREPARED BY:  
BUILDING DROPS, INC.  
398 E. DANIA BEACH BLVD., STE. 338  
DANIA BEACH, FL 33004  
PH: (954) 395-8478  
FAX: (954) 744-4738  
WEB: www.buildingdrops.com

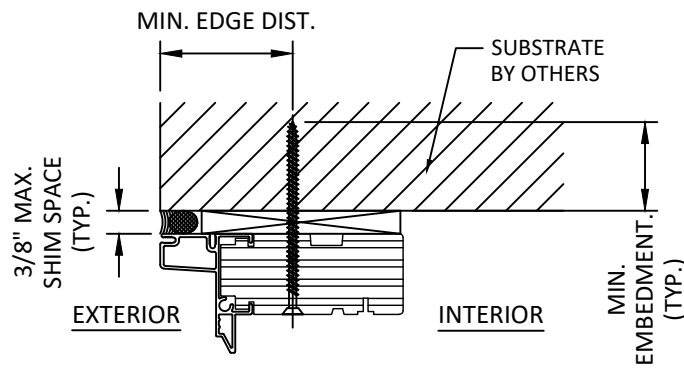


| REMARKS                | BY | DATE    |
|------------------------|----|---------|
| 1/2" LVL MULL ADDITION | HR | 4.3.19  |
| ADDED MULL & DP CHARTS | LL | 7.15.19 |
|                        |    |         |
|                        |    |         |

THE INSTALLATION DETAILS DESCRIBED HEREIN ARE GENERIC AND MAY NOT REFLECT ACTUAL CONDITIONS FOR A SPECIFIC SITE. IF SITE CONDITIONS CAUSE INSTALLATION TO DEVIATE FROM THE REQUIREMENTS DETAILED HEREIN, A LICENSED ENGINEER OR ARCHITECT SHALL PREPARE SITE SPECIFIC DOCUMENTS FOR USE WITH THIS DOCUMENT.

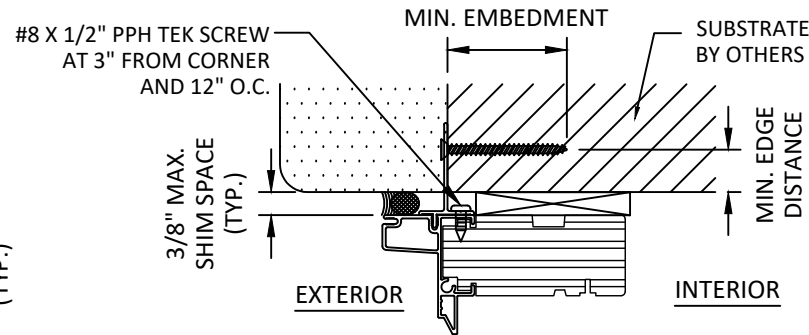


|          |                 |
|----------|-----------------|
| FL #:    | <b>FL24230</b>  |
| DATE:    | <b>10.12.17</b> |
| DWG. BY: | <b>AG</b>       |
| CHK. BY: | <b>HFN</b>      |
| SCALE:   | <b>NTS</b>      |
| DWG. #:  | <b>AWD208</b>   |
| SHEET:   | <b>10</b>       |



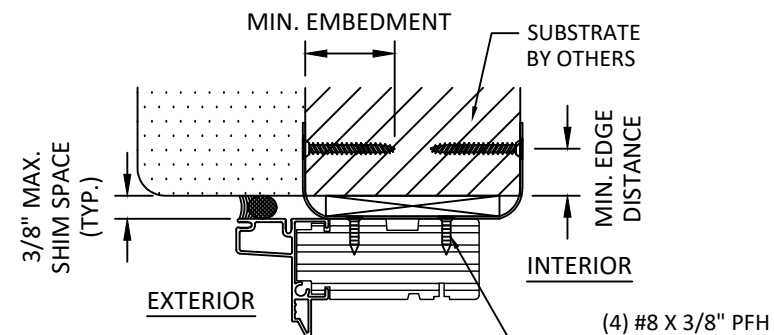
**A**  
**10** ANCHOR DETAIL  
THROUGH FRAME

SILL & JAMB HAVE A SIMILAR DETAIL.



**B**  
**10** ANCHOR DETAIL  
ALUMINUM NAIL FIN

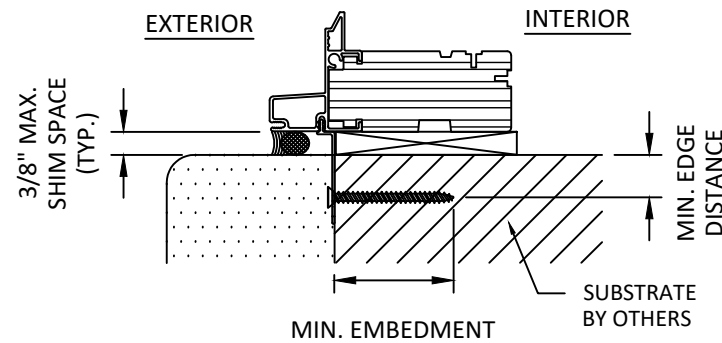
SILL & JAMB HAVE A SIMILAR DETAIL.



**C**  
**10** ANCHOR DETAIL  
STRAP ANCHOR (WITH 2X BUCK)

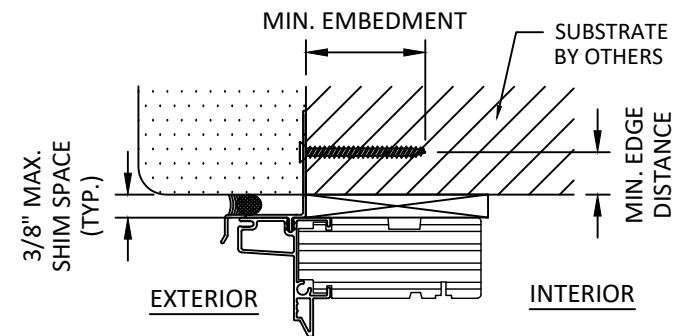
SILL & JAMB HAVE A SIMILAR DETAIL.

(4) #8 X 3/8" PFH REQ'D INTO FRAME AT EACH STRAP



**D**  
**10** ANCHOR DETAIL  
VINYL NAIL FIN

JAMB HAS A SIMILAR DETAIL.



**E**  
**10** ANCHOR DETAIL  
VINYL NAIL FIN + DRIP EDGE

HEAD DETAIL.

**INSTALLATION NOTES:**

- ONE (1) INSTALLATION ANCHOR IS REQUIRED AT EACH ANCHOR LOCATION SHOWN, UNLESS OTHERWISE STATED.
- THE NUMBER OF INSTALLATION ANCHORS DEPICTED IS THE MINIMUM NUMBER OF ANCHORS TO BE USED FOR PRODUCT INSTALLATION.
- INSTALL INDIVIDUAL INSTALLATION ANCHORS WITHIN A TOLERANCE OF ±1/2 INCH OF THE DEPICTED LOCATION IN THE ANCHOR LAYOUT DETAIL (I.E., WITHOUT CONSIDERATION OF TOLERANCES). TOLERANCES ARE NOT CUMULATIVE FROM ONE INSTALLATION ANCHOR TO THE NEXT.
- SHIM AS REQUIRED AT EACH INSTALLATION ANCHOR WITH LOAD BEARING SHIM(S). MAXIMUM ALLOWABLE SHIM STACK TO BE 3/8 INCH. SHIM WHERE SPACE OF 1/16 INCH OR GREATER OCCURS. SHIM(S) SHALL BE CONSTRUCTED OF HIGH DENSITY PLASTIC OR BETTER.
- MINIMUM EMBEDMENT AND EDGE DISTANCE EXCLUDE WALL FINISHES, INCLUDING BUT NOT LIMITED TO STUCCO, FOAM, BRICK VENEER, AND SIDING.
- INSTALLATION ANCHORS AND ASSOCIATED HARDWARE MUST BE MADE OF CORROSION RESISTANT MATERIAL OR HAVE A CORROSION RESISTANT COATING.
- FOR HOLLOW BLOCK AND GROUT FILLED BLOCK, DO NOT INSTALL INSTALLATION ANCHORS INTO MORTAR JOINTS. EDGE DISTANCE IS MEASURED FROM FREE EDGE OF BLOCK OR EDGE OF MORTAR JOINT INTO FACE SHELL OF BLOCK.
- INSTALLATION ANCHORS SHALL BE INSTALLED IN ACCORDANCE WITH ANCHOR MANUFACTURER'S INSTALLATION INSTRUCTIONS, AND ANCHORS SHALL NOT BE USED IN SUBSTRATES WITH STRENGTHS LESS THAN THE MINIMUM STRENGTH SPECIFIED BY THE ANCHOR MANUFACTURER.

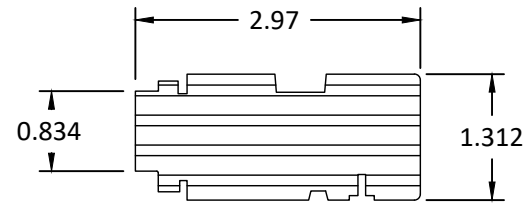
**ANCHOR SCHEDULE**

| INSTALLATION TYPE      | ANCHOR QTY PER LOCATION | SUBSTRATE  | ANCHOR TYPE         | EMBEDMENT (IN.)            | EDGE DISTANCE (IN.) | MAX. HEAD/SILL O.C. DISTANCE (IN.) | MAX. JAMB O.C. DISTANCE (IN.) | MAX. CORNER DISTANCE (IN.) |
|------------------------|-------------------------|--|---------------------|----------------------------|---------------------|------------------------------------|-------------------------------|----------------------------|
| THRU STRAP             | 2                       | WOOD : MIN. SG=0.55                                | #8 WOOD SCREW       | 1.5                        | 0.75                | 16.0                               | 18.0                          | 6.0                        |
|                        | 2                       | METAL : 20 GAUGE STEEL, MIN. F <sub>y</sub> =33KSI | #8 TEK SCREW        | 3 THREADS MIN. PENETRATION | 0.5                 |                                    |                               |                            |
| THRU FRAME             | 1                       | WOOD : MIN. SG=0.55                                | #10 WOOD SCREW      | 1.50                       | 0.75                | 16.0                               | 18.0                          | 6.0                        |
|                        | 1                       | METAL : 20 GAUGE STEEL, MIN. F <sub>y</sub> =33KSI | #12 TEK SCREW       | 3 THREADS MIN. PENETRATION | 0.5                 |                                    |                               |                            |
|                        | 1                       | CONCRETE : f' <sub>c</sub> =3000PSI                | 1/4" ELCO ULTRACON  | 1                          | 2.5                 |                                    |                               |                            |
|                        | 1                       | MASONRY CMU : f' <sub>c</sub> =1500PSI             | 1/4" ELCO ULTRACON  | 1                          | 2.5                 |                                    |                               |                            |
| THRU VINYL NAIL FIN    | 1                       | WOOD : MIN. SG=0.55                                | 11 GA. ROOFING NAIL | 1.5                        | 0.75                | 3.5                                | 3.5                           | 3.0                        |
|                        | 1                       | WOOD : MIN. SG=0.55                                | #8 WOOD SCREW       | 1.5                        | 0.75                |                                    |                               |                            |
|                        | 1                       | METAL : 20 GAUGE STEEL, MIN. F <sub>y</sub> =33KSI | #8 TEK SCREW        | 3 THREADS MIN. PENETRATION | 0.5                 |                                    |                               |                            |
| THRU ALUMINUM NAIL FIN | 1                       | WOOD : MIN. SG=0.55                                | 11 GA. ROOFING NAIL | 1.5                        | 0.75                | 12.0                               | 12.0                          | 3.0                        |
|                        | 1                       | METAL : 20 GAUGE STEEL, MIN. F <sub>y</sub> =33KSI | #8 TEK SCREW        | 3 THREADS MIN. PENETRATION | 0.5                 |                                    |                               |                            |

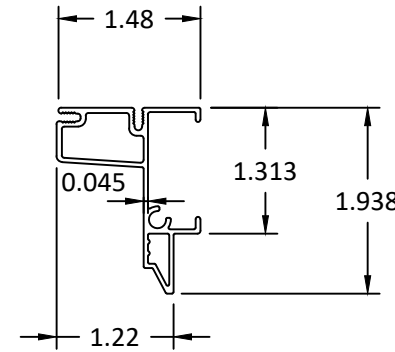


**BILL OF MATERIALS**

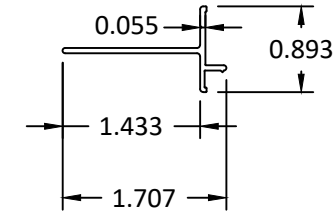
| ITEM | DESCRIPTION   | MATERIAL     |
|------|---|--------------|
| A    | 3/8" MAX. SHIM SPACE  | WOOD         |
| C    | 1X BUCK (SG>=0.55)  | WOOD         |
| D    | 2X BUCK (SG>=0.55)  | WOOD         |
| E    | 1/4" X 2-3/4" PFH ELCO OR ITW CONCRETE SCREW  | STEEL        |
| F    | MASONRY - 3,000 PSI MIN CONCRETE CONFORMING TO ACI 301 OR HOLLOW BLOCK CONFORMING TO ASTM C90 | CONCRETE     |
| G    | 1/4" X 3-3/4" PFH WOOD SCREW  | STEEL        |
| H    | #10 X 3" PFH WOOD SCREW   | STEEL        |
| 4    | 18GA X 1-1/4" BRAD TRIM NAIL  | STEEL        |
| 13   | GLASS STOP (PINE)   | WOOD         |
| 27   | POLYETHYLENE FOAM TAPE  | -            |
| 29   | STRAP ANCHOR  | STEEL        |
| 37   | #8 X 5/8" PFH SMS   | STEEL        |
| 38   | #8 X 2" PFH SMS   | STEEL        |
| 46   | GLAZING TAPE .094" x 2.65" BUTYL TAPE   | -            |
| 56   | AUXILIARY FRAME   | LVL          |
| 57   | STD. FRAME CLADDING   | 6063-T5      |
| 58   | SECONDARY STOP (PINE)   | WOOD         |
| 59   | SECONDARY STOP (PINE)   | WOOD         |
| 70   | ALUMINUM NAIL FIN   | 6063-T5      |
| 71   | #8 X 1-1/2" PFH SMS   | STEEL        |
| 72   | #8 X 1/2" PPH TEK SCREW   | STEEL        |
| 90   | 1-1/2" INTERIOR COLONIAL MDL BAR  | WOOD         |
| 91   | 1-1/2" EXTERIOR MDL BAR   | 6063-T5      |
| 92   | 1-1/2" MDL ADHESIVE TAPE (EXTERIOR FACE)  | POLYETHYLENE |
| 93   | 1-1/2" MDL ADHESIVE TAPE (INTERIOR FACE)  | POLYETHYLENE |
| 94   | 1-1/8" INTERIOR COLONIAL MDL BAR  | WOOD         |
| 95   | 1-1/8" EXTERIOR MDL BAR   | 6063-T5      |
| 96   | 1-1/8" MDL ADHESIVE TAPE (EXTERIOR FACE)  | POLYETHYLENE |
| 97   | 1-1/8" MDL ADHESIVE TAPE (INTERIOR FACE)  | POLYETHYLENE |
| 98   | 7/8" INTERIOR COLONIAL MDL BAR  | WOOD         |
| 99   | 7/8" EXTERIOR MDL BAR   | 6063-T5      |
| 100  | 7/8" MDL ADHESIVE TAPE (EXTERIOR FACE)  | POLYETHYLENE |
| 101  | 7/8" MDL ADHESIVE TAPE (INTERIOR FACE)  | POLYETHYLENE |
| 102  | VINYL NAIL FIN  | VINYL        |
| 103  | VINYL NAIL FIN  | VINYL        |



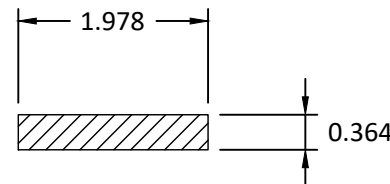
56 AUXILIARY FRAME



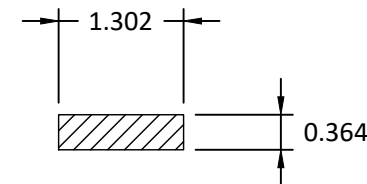
57 STD. FRAME CLADDING



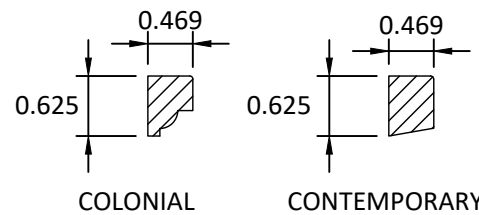
70 NAIL FIN ALUMINUM



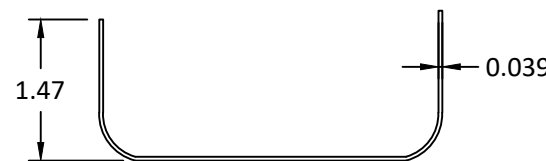
58 SECONDARY STOP 1-13/16" NOMINAL GLASS



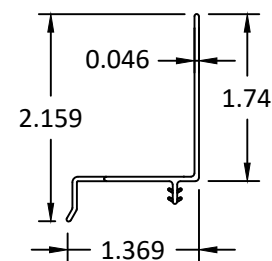
59 SECONDARY STOP 1-1/4" NOMINAL GLASS



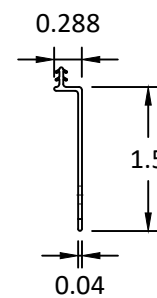
13 GLASS STOP



29 STRAP ANCHOR



102 NAIL FIN W/ DRIP EDGE VINYL



103 NAIL FIN VINYL



100 FOURTH AVE NORTH  
BAYPORT, MN 55003-1096  
PH: (651) 264-5150 FX: (651) 264-5485

TITLE: E-SERIES SPECIALTY (AUXILIARY) FIXED WINDOW (NON-HVHZ) (NON-IMPACT)

COMPONENTS AND BILL OF MATERIALS

PREPARED BY:

**BUILDING DROPS, INC.**  
398 E. DANIA BEACH BLVD., STE. 338  
DANIA BEACH, FL 33004  
PH: (954) 399-8478  
FAX: (954) 744-4738  
WEB: www.buildingdrops.com



| REMARKS                | BY | DATE    |
|------------------------|----|---------|
| 1/2" LVL MULL ADDITION | HR | 4.3.19  |
| ADDED MULL & DP CHARTS | LL | 7.15.19 |

THE INSTALLATION DETAILS DESCRIBED HEREIN ARE GENERIC AND MAY NOT REFLECT ACTUAL CONDITIONS FOR A SPECIFIC SITE. IF SITE CONDITIONS CAUSE INSTALLATION TO DEVIATE FROM THE REQUIREMENTS DETAILED HEREIN, A LICENSED ENGINEER OR ARCHITECT SHALL PREPARE SITE SPECIFIC DOCUMENTS FOR USE WITH THIS DOCUMENT.



HERMES F. NORERO, P.E.  
FLORIDA P.E. No. 73778  
BUILDING DROPS, INC.  
398 E. DANIA BEACH BLVD. # 338  
DANIA BEACH, FL 33004  
FBPE CERT. OF AUTHORIZATION No. 29578

FL #: **FL24230**

DATE: **10.12.17**

DWG. BY: **AG** CHK. BY: **HFN**

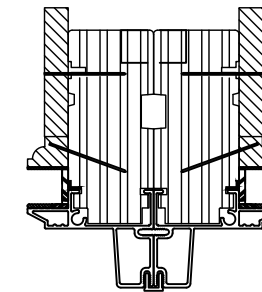
SCALE: **NTS**

DWG. #: **AWD208**

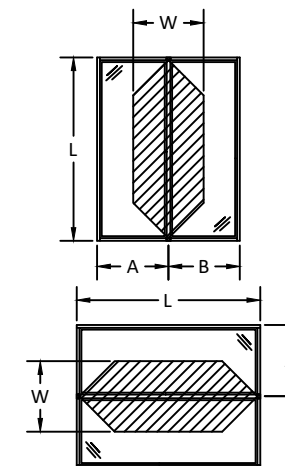
SHEET: **11**  
OF 29

**MAXIMUM DESIGN PRESSURE CAPACITY CHART (PSF)  
ZERO STRUCTURAL MULLION (ONE-WAY) CONFIGURATION**

| L - Mull Length (in) | W - Tributary Width (in) |       |       |       |       |       |       |       |       |       |       |       |       |       |       |
|----------------------|--------------------------|-------|-------|-------|-------|-------|-------|-------|-------|-------|-------|-------|-------|-------|-------|
|                      | 24.0                     | 36.0  | 48.0  | 60.0  | 72.0  | 84.0  | 96.0  | 108.0 | 120.0 | 132.0 | 144.0 | 156.0 | 168.0 | 180.0 | 192.0 |
| 24.0                 | 75.00                    | 75.00 | 75.00 | 75.00 | 75.00 | 75.00 | 75.00 | 75.00 | 75.00 | 75.00 | 75.00 | 75.00 | 75.00 | 75.00 | 75.00 |
| 30.0                 | 75.00                    | 75.00 | 75.00 | 75.00 | 75.00 | 75.00 | 75.00 | 75.00 | 75.00 | 75.00 | 75.00 | 75.00 | 75.00 | 75.00 | 75.00 |
| 36.0                 | 75.00                    | 75.00 | 75.00 | 75.00 | 75.00 | 75.00 | 75.00 | 75.00 | 75.00 | 75.00 | 75.00 | 75.00 | 75.00 | 75.00 | 75.00 |
| 42.0                 | 69.79                    | 54.93 | 53.33 | 53.33 | 53.33 | 53.33 | 53.33 | 53.33 | 53.33 | 53.33 | 53.33 | 53.33 | 53.33 | 53.33 | 53.33 |
| 48.0                 | 51.95                    | 39.07 | 35.73 | 35.73 | 35.73 | 35.73 | 35.73 | 35.73 | 35.73 | 35.73 | 35.73 | 35.73 | 35.73 | 35.73 | 35.73 |
| 54.0                 | 40.29                    | 29.44 | 25.55 | 25.09 | 25.09 | 25.09 | 25.09 | 25.09 | 25.09 | 25.09 | 25.09 | 25.09 | 25.09 | 25.09 | 25.09 |
| 60.0                 | 32.20                    | 23.09 | 19.37 | 18.29 | 18.29 | 18.29 | 18.29 | 18.29 | 18.29 | 18.29 | 18.29 | 18.29 | 18.29 | 18.29 | 18.29 |
| 66.0                 | 26.36                    | 18.64 | 15.29 | 13.91 | 13.74 | 13.74 | 13.74 | 13.74 | 13.74 | 13.74 | 13.74 | 13.74 | 13.74 | 13.74 | 13.74 |
| 72.0                 | 21.99                    | 15.39 | 12.42 | 11.02 | 10.59 | 10.59 | 10.59 | 10.59 | 10.59 | 10.59 | 10.59 | 10.59 | 10.59 | 10.59 | 10.59 |
| 78.0                 | 18.63                    | 12.94 | 10.32 | 8.99  | 8.40  | 8.33  | 8.33  | 8.33  | 8.33  | 8.33  | 8.33  | 8.33  | 8.33  | 8.33  | 8.33  |
| 84.0                 | 15.99                    | 11.05 | 8.72  | 7.49  | 6.87  | 6.67  | 6.67  | 6.67  | 6.67  | 6.67  | 6.67  | 6.67  | 6.67  | 6.67  | 6.67  |
| 90.0                 | 13.88                    | 9.54  | 7.48  | 6.36  | 5.74  | 5.46  | 5.42  | 5.42  | 5.42  | 5.42  | 5.42  | 5.42  | 5.42  | 5.42  | 5.42  |
| 96.0                 | 12.17                    | 8.33  | 6.49  | 5.47  | 4.88  | 4.57  | 4.47  | 4.47  | 4.47  | 4.47  | 4.47  | 4.47  | 4.47  | 4.47  | 4.47  |
| 102.0                | 10.75                    | 7.34  | 5.69  | 4.77  | 4.21  | 3.89  | 3.74  | 3.72  | 3.72  | 3.72  | 3.72  | 3.72  | 3.72  | 3.72  | 3.72  |
| 108.0                | 9.57                     | 6.52  | 5.04  | 4.19  | 3.68  | 3.37  | 3.19  | 3.14  | 3.14  | 3.14  | 3.14  | 3.14  | 3.14  | 3.14  | 3.14  |
| 114.0                | 8.58                     | 5.83  | 4.49  | 3.72  | 3.25  | 2.94  | 2.76  | 2.68  | 2.67  | 2.67  | 2.67  | 2.67  | 2.67  | 2.67  | 2.67  |
| 120.0                | 7.73                     | 5.24  | 4.03  | 3.32  | 2.89  | 2.60  | 2.42  | 2.32  | 2.29  | 2.29  | 2.29  | 2.29  | 2.29  | 2.29  | 2.29  |
| 126.0                | 7.00                     | 4.74  | 3.63  | 2.99  | 2.58  | 2.32  | 2.14  | 2.03  | 1.98  | 1.98  | 1.98  | 1.98  | 1.98  | 1.98  | 1.98  |
| 132.0                | 6.37                     | 4.31  | 3.30  | 2.71  | 2.33  | 2.08  | 1.91  | 1.80  | 1.74  | 1.72  | 1.72  | 1.72  | 1.72  | 1.72  | 1.72  |
| 138.0                | 5.82                     | 3.93  | 3.00  | 2.46  | 2.11  | 1.88  | 1.72  | 1.61  | 1.54  | 1.51  | 1.50  | 1.50  | 1.50  | 1.50  | 1.50  |
| 144.0                | 5.34                     | 3.61  | 2.75  | 2.25  | 1.92  | 1.70  | 1.55  | 1.45  | 1.38  | 1.34  | 1.32  | 1.32  | 1.32  | 1.32  | 1.32  |
| 150.0                | 4.92                     | 3.32  | 2.53  | 2.06  | 1.76  | 1.56  | 1.41  | 1.31  | 1.24  | 1.20  | 1.17  | 1.17  | 1.17  | 1.17  | 1.17  |
| 156.0                | 4.55                     | 3.06  | 2.33  | 1.90  | 1.62  | 1.43  | 1.29  | 1.19  | 1.12  | 1.08  | 1.05  | 1.04  | 1.04  | 1.04  | 1.04  |
| 162.0                | 4.21                     | 2.84  | 2.15  | 1.75  | 1.49  | 1.31  | 1.18  | 1.09  | 1.02  | 0.98  | 0.95  | 0.93  | 0.93  | 0.93  | 0.93  |
| 168.0                | 3.92                     | 2.63  | 2.00  | 1.62  | 1.38  | 1.21  | 1.09  | 1.00  | 0.94  | 0.89  | 0.86  | 0.84  | 0.83  | 0.83  | 0.83  |
| 174.0                | 3.65                     | 2.45  | 1.86  | 1.51  | 1.28  | 1.12  | 1.01  | 0.92  | 0.86  | 0.82  | 0.78  | 0.76  | 0.75  | 0.75  | 0.75  |
| 180.0                | 3.41                     | 2.29  | 1.74  | 1.41  | 1.19  | 1.04  | 0.94  | 0.86  | 0.79  | 0.75  | 0.72  | 0.70  | 0.68  | 0.68  | 0.68  |
| 186.0                | 3.19                     | 2.14  | 1.62  | 1.31  | 1.11  | 0.97  | 0.87  | 0.79  | 0.74  | 0.69  | 0.66  | 0.64  | 0.62  | 0.62  | 0.61  |
| 192.0                | 2.95                     | 1.98  | 1.51  | 1.22  | 1.04  | 0.91  | 0.81  | 0.74  | 0.68  | 0.64  | 0.61  | 0.59  | 0.57  | 0.56  | 0.56  |



**ZERO MULLION PROFILE**



$$\frac{A + B = W}{2}$$

**NOTE:**

- 1) MULLION CHART APPLIES TO ZERO MULL ASSEMBLIES, WHEN MULLED IN ONE-WAY CONFIGURATIONS.
- 2) DESIGN PRESSURE VALUES ARE POSITIVE AND NEGATIVE IN PSF.
- 3) MAXIMUM DEFLECTION HAS BEEN LIMITED TO L/175.
- 4) DESIGN PRESSURE OF ASSEMBLY IS LIMITED TO THE LESSER DESIGN PRESSURE OF THE MULLION ASSEMBLY OR THE INDIVIDUAL UNIT OF INSTALLATION. ADJACENT E-SERIES WINDOWS OR DOORS SHALL BE UNDER SEPARATE FL APPROVAL.
- 5) MULLION CHART APPLIES TO THE INSTALLATION CONDITIONS LISTED ON SHEET 10
- 6) TRIBUTARY WIDTH =  $W = (A+B)/2$
- 7) WHEN WINDOWS ARE STACKED VERTICALLY, THE MANUFACTURER/INSTALLER SHALL ENSURE THAT THE WEIGHT OF UNITS ABOVE WILL NOT CAUSE DEFLECTIONS OR STRESSES WHICH WILL AFFECT OPERATION OR STRUCTURAL ADEQUACY OF UNITS BELOW.



100 FOURTH AVE NORTH  
BAYPORT, MN 55003-1096  
PH: (651) 264-5150 FX: (651) 264-5485

TITLE: E-SERIES SPECIALTY (AUXILIARY) FIXED WINDOW (NON-HVHZ) (NON-IMPACT)

ZERO MULLION LOADS TABLE - ONE WAY

PREPARED BY:  
**BUILDING DROPS, INC.**  
398 E. DANIA BEACH BLVD., STE. 338  
DANIA BEACH, FL 33004  
PH: (954) 399-8478  
FAX: (954) 744-4738  
WEB: www.buildingdrops.com



| REMARKS                | BY | DATE    |
|------------------------|----|---------|
| 1/2" LVL MULL ADDITION | HR | 4.3.19  |
| ADDED MULL & DP CHARTS | LL | 7.15.19 |
|                        |    |         |

THE INSTALLATION DETAILS DESCRIBED HEREIN ARE GENERIC AND MAY NOT REFLECT ACTUAL CONDITIONS FOR A SPECIFIC SITE. IF SITE CONDITIONS CAUSE INSTALLATION TO DEVIATE FROM THE REQUIREMENTS DETAILED HEREIN, A LICENSED ENGINEER OR ARCHITECT SHALL PREPARE SITE SPECIFIC DOCUMENTS FOR USE WITH THIS DOCUMENT.



HERMES F. NORERO, P.E.  
FLORIDA P.E. No. 73778  
BUILDING DROPS, INC.  
398 E. DANIA BEACH BLVD. # 338  
DANIA BEACH, FL 33004  
FBPE CERT. OF AUTHORIZATION No. 29578

|          |                 |
|----------|-----------------|
| FL #:    | <b>FL24230</b>  |
| DATE:    | <b>10.12.17</b> |
| DWG. BY: | <b>AG</b>       |
| CHK. BY: | <b>HFN</b>      |
| SCALE:   | <b>NTS</b>      |
| DWG. #:  | <b>AWD208</b>   |
| SHEET:   | <b>12</b>       |
|          | OF 29           |





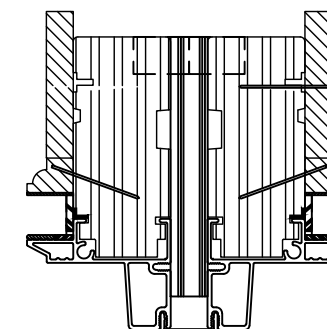


**MAXIMUM DESIGN PRESSURE CAPACITY CHART (PSF)**  
**1/2" x 3-1/2" STRUCTURAL MULLION (ONE-WAY) CONFIGURATION**

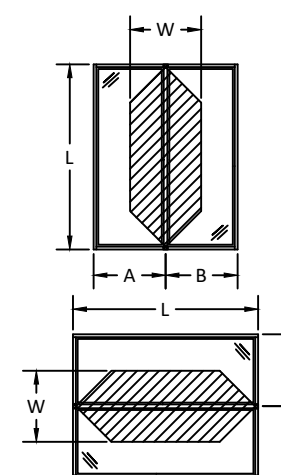
| L - Mull Length (in) | W - Tributary Width (in) |       |       |       |       |       |       |       |       |       |       |       |       |       |       |
|----------------------|--------------------------|-------|-------|-------|-------|-------|-------|-------|-------|-------|-------|-------|-------|-------|-------|
|                      | 24.0                     | 36.0  | 48.0  | 60.0  | 72.0  | 84.0  | 96.0  | 108.0 | 120.0 | 132.0 | 144.0 | 156.0 | 168.0 | 180.0 | 192.0 |
| 24.0                 | 75.00                    | 75.00 | 75.00 | 75.00 | 75.00 | 75.00 | 75.00 | 75.00 | 75.00 | 75.00 | 75.00 | 75.00 | 75.00 | 75.00 | 75.00 |
| 30.0                 | 75.00                    | 75.00 | 75.00 | 75.00 | 75.00 | 75.00 | 75.00 | 75.00 | 75.00 | 75.00 | 75.00 | 75.00 | 75.00 | 75.00 | 75.00 |
| 36.0                 | 75.00                    | 75.00 | 75.00 | 75.00 | 75.00 | 75.00 | 75.00 | 75.00 | 75.00 | 75.00 | 75.00 | 75.00 | 75.00 | 75.00 | 75.00 |
| 42.0                 | 75.00                    | 75.00 | 75.00 | 75.00 | 75.00 | 75.00 | 75.00 | 75.00 | 75.00 | 75.00 | 75.00 | 75.00 | 75.00 | 75.00 | 75.00 |
| 48.0                 | 75.00                    | 75.00 | 75.00 | 75.00 | 75.00 | 75.00 | 75.00 | 75.00 | 75.00 | 75.00 | 75.00 | 75.00 | 75.00 | 75.00 | 75.00 |
| 54.0                 | 75.00                    | 75.00 | 75.00 | 75.00 | 75.00 | 75.00 | 75.00 | 75.00 | 75.00 | 75.00 | 75.00 | 75.00 | 75.00 | 75.00 | 75.00 |
| 60.0                 | 75.00                    | 75.00 | 74.58 | 70.42 | 70.42 | 70.42 | 70.42 | 70.42 | 70.42 | 70.42 | 70.42 | 70.42 | 70.42 | 70.42 | 70.42 |
| 66.0                 | 75.00                    | 71.75 | 58.85 | 53.56 | 52.91 | 52.91 | 52.91 | 52.91 | 52.91 | 52.91 | 52.91 | 52.91 | 52.91 | 52.91 | 52.91 |
| 72.0                 | 75.00                    | 59.25 | 47.81 | 42.41 | 40.75 | 40.75 | 40.75 | 40.75 | 40.75 | 40.75 | 40.75 | 40.75 | 40.75 | 40.75 | 40.75 |
| 78.0                 | 66.62                    | 46.64 | 37.50 | 32.98 | 31.07 | 30.82 | 30.82 | 30.82 | 30.82 | 30.82 | 30.82 | 30.82 | 30.82 | 30.82 | 30.82 |
| 84.0                 | 53.05                    | 36.89 | 29.37 | 25.45 | 23.52 | 22.91 | 22.91 | 22.91 | 22.91 | 22.91 | 22.91 | 22.91 | 22.91 | 22.91 | 22.91 |
| 90.0                 | 42.94                    | 29.70 | 23.46 | 20.10 | 18.29 | 17.50 | 17.39 | 17.39 | 17.39 | 17.39 | 17.39 | 17.39 | 17.39 | 17.39 | 17.39 |
| 96.0                 | 35.26                    | 24.28 | 19.05 | 16.18 | 14.55 | 13.71 | 13.43 | 13.43 | 13.43 | 13.43 | 13.43 | 13.43 | 13.43 | 13.43 | 13.43 |
| 102.0                | 29.30                    | 20.11 | 15.70 | 13.23 | 11.78 | 10.96 | 10.59 | 10.54 | 10.54 | 10.54 | 10.54 | 10.54 | 10.54 | 10.54 | 10.54 |
| 108.0                | 24.62                    | 16.85 | 13.09 | 10.97 | 9.69  | 8.93  | 8.52  | 8.39  | 8.39  | 8.39  | 8.39  | 8.39  | 8.39  | 8.39  | 8.39  |
| 114.0                | 20.89                    | 14.26 | 11.04 | 9.20  | 8.08  | 7.38  | 6.97  | 6.78  | 6.75  | 6.75  | 6.75  | 6.75  | 6.75  | 6.75  | 6.75  |
| 120.0                | 17.88                    | 12.17 | 9.40  | 7.80  | 6.81  | 6.18  | 5.79  | 5.57  | 5.50  | 5.50  | 5.50  | 5.50  | 5.50  | 5.50  | 5.50  |
| 126.0                | 15.42                    | 10.48 | 8.07  | 6.68  | 5.80  | 5.23  | 4.86  | 4.65  | 4.54  | 4.53  | 4.53  | 4.53  | 4.53  | 4.53  | 4.53  |
| 132.0                | 13.39                    | 9.09  | 6.98  | 5.76  | 4.98  | 4.47  | 4.13  | 3.92  | 3.80  | 3.76  | 3.76  | 3.76  | 3.76  | 3.76  | 3.76  |
| 138.0                | 11.71                    | 7.93  | 6.08  | 5.00  | 4.32  | 3.86  | 3.55  | 3.34  | 3.22  | 3.15  | 3.15  | 3.15  | 3.15  | 3.15  | 3.15  |
| 144.0                | 10.29                    | 6.96  | 5.33  | 4.38  | 3.76  | 3.35  | 3.07  | 2.87  | 2.75  | 2.68  | 2.65  | 2.65  | 2.65  | 2.65  | 2.65  |
| 150.0                | 9.10                     | 6.15  | 4.70  | 3.85  | 3.30  | 2.93  | 2.67  | 2.49  | 2.37  | 2.30  | 2.26  | 2.25  | 2.25  | 2.25  | 2.25  |
| 156.0                | 8.08                     | 5.46  | 4.16  | 3.41  | 2.91  | 2.58  | 2.34  | 2.18  | 2.06  | 1.99  | 1.94  | 1.93  | 1.93  | 1.93  | 1.93  |
| 162.0                | 7.21                     | 4.86  | 3.71  | 3.03  | 2.59  | 2.28  | 2.07  | 1.91  | 1.80  | 1.73  | 1.68  | 1.66  | 1.66  | 1.66  | 1.66  |
| 168.0                | 6.46                     | 4.35  | 3.32  | 2.70  | 2.31  | 2.03  | 1.84  | 1.69  | 1.59  | 1.52  | 1.47  | 1.44  | 1.43  | 1.43  | 1.43  |
| 174.0                | 5.81                     | 3.91  | 2.98  | 2.42  | 2.06  | 1.82  | 1.64  | 1.51  | 1.41  | 1.34  | 1.29  | 1.26  | 1.25  | 1.24  | 1.24  |
| 180.0                | 5.25                     | 3.53  | 2.68  | 2.18  | 1.86  | 1.63  | 1.47  | 1.35  | 1.26  | 1.19  | 1.14  | 1.11  | 1.09  | 1.09  | 1.09  |
| 186.0                | 4.75                     | 3.20  | 2.43  | 1.97  | 1.68  | 1.47  | 1.32  | 1.21  | 1.12  | 1.06  | 1.02  | 0.99  | 0.97  | 0.95  | 0.95  |
| 192.0                | 4.32                     | 2.90  | 2.20  | 1.79  | 1.52  | 1.33  | 1.19  | 1.09  | 1.01  | 0.95  | 0.91  | 0.88  | 0.86  | 0.84  | 0.84  |

**NOTE:**

- MULLION CHART APPLIES TO 1/2" X 3 1/2" LVL MULL ASSEMBLIES, WHEN MULLED IN ONE-WAY CONFIGURATIONS.
- DESIGN PRESSURE VALUES ARE POSITIVE AND NEGATIVE IN PSF.
- MAXIMUM DEFLECTION HAS BEEN LIMITED TO L/175.
- DESIGN PRESSURE OF ASSEMBLY IS LIMITED TO THE LESSER DESIGN PRESSURE OF THE MULLION ASSEMBLY OR THE INDIVIDUAL UNIT OF INSTALLATION. ADJACENT E-SERIES WINDOWS OR DOORS SHALL BE UNDER SEPARATE FL APPROVAL.
- MULLION CHART APPLIES TO THE INSTALLATION CONDITIONS LISTED ON SHEET 10
- TRIBUTARY WIDTH =  $W = (A+B)/2$
- WHEN WINDOWS ARE STACKED VERTICALLY, THE MANUFACTURER/INSTALLER SHALL ENSURE THAT THE WEIGHT OF UNITS ABOVE WILL NOT CAUSE DEFLECTIONS OR STRESSES WHICH WILL AFFECT OPERATION OR STRUCTURAL ADEQUACY OF UNITS BELOW.



**1/2" X 3 1/2"**  
**LVL MULL PROFILE**



$$\frac{A + B = W}{2}$$



100 FOURTH AVE NORTH  
 BAYPORT, MN 55003-1096  
 PH: (651) 264-5150 FX: (651) 264-5485

TITLE: E-SERIES SPECIALTY (AUXILIARY) FIXED WINDOW (NON-HVHZ) (NON-IMPACT)

1/2" X 3 1/2" MULLION LOADS TABLE - ONE WAY

PREPARED BY:  
**BUILDING DROPS, INC.**  
 398 E. DANIA BEACH BLVD., STE. 338  
 DANIA BEACH, FL 33004  
 PH: (954) 399-8478  
 FAX: (954) 744-4738  
 WEB: www.buildingdrops.com



| REMARKS                | BY | DATE    |
|------------------------|----|---------|
| 1/2" LVL MULL ADDITION | HR | 4.3.19  |
| ADDED MULL & DP CHARTS | LL | 7.15.19 |
|                        |    |         |
|                        |    |         |

THE INSTALLATION DETAILS DESCRIBED HEREIN ARE GENERIC AND MAY NOT REFLECT ACTUAL CONDITIONS FOR A SPECIFIC SITE. IF SITE CONDITIONS CAUSE INSTALLATION TO DEVIATE FROM THE REQUIREMENTS DETAILED HEREIN, A LICENSED ENGINEER OR ARCHITECT SHALL PREPARE SITE SPECIFIC DOCUMENTS FOR USE WITH THIS DOCUMENT.

HERMES F. NORERO, P.E.  
 FLORIDA P.E. No. 73778  
 BUILDING DROPS, INC.  
 398 E. DANIA BEACH BLVD. # 338  
 DANIA BEACH, FL 33004  
 FBPE CERT. OF AUTHORIZATION No. 29578

|          |                 |
|----------|-----------------|
| FL #:    | <b>FL24230</b>  |
| DATE:    | <b>10.12.17</b> |
| DWG. BY: | <b>AG</b>       |
| CHK. BY: | <b>HFN</b>      |
| SCALE:   | <b>NTS</b>      |
| DWG. #:  | <b>AWD208</b>   |

SHEET:  
14  
 OF 29

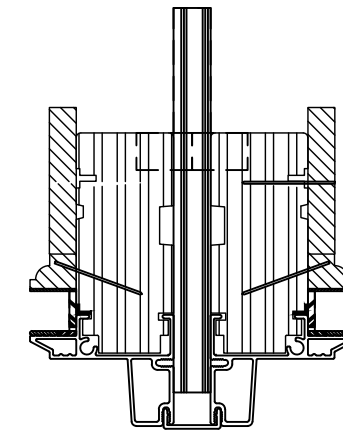




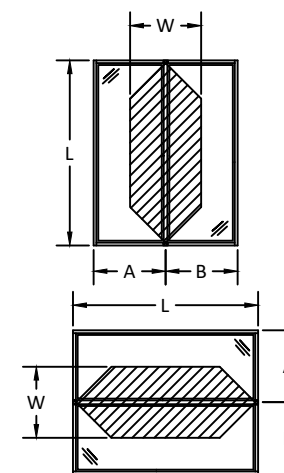


**MAXIMUM DESIGN PRESSURE CAPACITY CHART (PSF)  
1/2" X 5-3/16" STRUCTURAL MULLION (ONE-WAY) CONFIGURATION**

| L - Mull Length (in) | W - Tributary Width (in) |       |       |       |       |       |       |       |       |       |       |       |       |       |       |
|----------------------|--------------------------|-------|-------|-------|-------|-------|-------|-------|-------|-------|-------|-------|-------|-------|-------|
|                      | 24.0                     | 36.0  | 48.0  | 60.0  | 72.0  | 84.0  | 96.0  | 108.0 | 120.0 | 132.0 | 144.0 | 156.0 | 168.0 | 180.0 | 192.0 |
| 24.0                 | 75.00                    | 75.00 | 75.00 | 75.00 | 75.00 | 75.00 | 75.00 | 75.00 | 75.00 | 75.00 | 75.00 | 75.00 | 75.00 | 75.00 | 75.00 |
| 30.0                 | 75.00                    | 75.00 | 75.00 | 75.00 | 75.00 | 75.00 | 75.00 | 75.00 | 75.00 | 75.00 | 75.00 | 75.00 | 75.00 | 75.00 | 75.00 |
| 36.0                 | 75.00                    | 75.00 | 75.00 | 75.00 | 75.00 | 75.00 | 75.00 | 75.00 | 75.00 | 75.00 | 75.00 | 75.00 | 75.00 | 75.00 | 75.00 |
| 42.0                 | 75.00                    | 75.00 | 75.00 | 75.00 | 75.00 | 75.00 | 75.00 | 75.00 | 75.00 | 75.00 | 75.00 | 75.00 | 75.00 | 75.00 | 75.00 |
| 48.0                 | 75.00                    | 75.00 | 75.00 | 75.00 | 75.00 | 75.00 | 75.00 | 75.00 | 75.00 | 75.00 | 75.00 | 75.00 | 75.00 | 75.00 | 75.00 |
| 54.0                 | 75.00                    | 75.00 | 75.00 | 75.00 | 75.00 | 75.00 | 75.00 | 75.00 | 75.00 | 75.00 | 75.00 | 75.00 | 75.00 | 75.00 | 75.00 |
| 60.0                 | 75.00                    | 75.00 | 75.00 | 74.88 | 74.88 | 74.88 | 74.88 | 74.88 | 74.88 | 74.88 | 74.88 | 74.88 | 74.88 | 74.88 | 74.88 |
| 66.0                 | 75.00                    | 75.00 | 66.86 | 62.40 | 61.88 | 61.88 | 61.88 | 61.88 | 61.88 | 61.88 | 61.88 | 61.88 | 61.88 | 61.88 | 61.88 |
| 72.0                 | 75.00                    | 69.33 | 58.50 | 53.49 | 52.00 | 52.00 | 52.00 | 52.00 | 52.00 | 52.00 | 52.00 | 52.00 | 52.00 | 52.00 | 52.00 |
| 78.0                 | 75.00                    | 62.40 | 52.00 | 46.80 | 44.57 | 44.31 | 44.31 | 44.31 | 44.31 | 44.31 | 44.31 | 44.31 | 44.31 | 44.31 | 44.31 |
| 84.0                 | 75.00                    | 56.73 | 46.80 | 41.43 | 38.29 | 37.30 | 37.30 | 37.30 | 37.30 | 37.30 | 37.30 | 37.30 | 37.30 | 37.30 | 37.30 |
| 90.0                 | 69.91                    | 48.35 | 38.18 | 32.71 | 29.78 | 28.48 | 28.30 | 28.30 | 28.30 | 28.30 | 28.30 | 28.30 | 28.30 | 28.30 | 28.30 |
| 96.0                 | 57.39                    | 39.53 | 31.01 | 26.33 | 23.68 | 22.31 | 21.86 | 21.86 | 21.86 | 21.86 | 21.86 | 21.86 | 21.86 | 21.86 | 21.86 |
| 102.0                | 47.70                    | 32.74 | 25.55 | 21.54 | 19.18 | 17.85 | 17.24 | 17.16 | 17.16 | 17.16 | 17.16 | 17.16 | 17.16 | 17.16 | 17.16 |
| 108.0                | 40.09                    | 27.42 | 21.31 | 17.86 | 15.78 | 14.53 | 13.87 | 13.65 | 13.65 | 13.65 | 13.65 | 13.65 | 13.65 | 13.65 | 13.65 |
| 114.0                | 34.01                    | 23.21 | 17.97 | 14.98 | 13.15 | 12.01 | 11.35 | 11.04 | 11.00 | 11.00 | 11.00 | 11.00 | 11.00 | 11.00 | 11.00 |
| 120.0                | 29.11                    | 19.82 | 15.30 | 12.70 | 11.09 | 10.06 | 9.42  | 9.08  | 8.96  | 8.96  | 8.96  | 8.96  | 8.96  | 8.96  | 8.96  |
| 126.0                | 25.10                    | 17.06 | 13.14 | 10.87 | 9.44  | 8.52  | 7.92  | 7.56  | 7.39  | 7.37  | 7.37  | 7.37  | 7.37  | 7.37  | 7.37  |
| 132.0                | 21.80                    | 14.79 | 11.36 | 9.37  | 8.11  | 7.28  | 6.73  | 6.38  | 6.19  | 6.12  | 6.12  | 6.12  | 6.12  | 6.12  | 6.12  |
| 138.0                | 19.06                    | 12.91 | 9.90  | 8.14  | 7.03  | 6.28  | 5.77  | 5.44  | 5.23  | 5.14  | 5.12  | 5.12  | 5.12  | 5.12  | 5.12  |
| 144.0                | 16.76                    | 11.34 | 8.68  | 7.12  | 6.13  | 5.45  | 4.99  | 4.68  | 4.47  | 4.36  | 4.32  | 4.32  | 4.32  | 4.32  | 4.32  |
| 150.0                | 14.81                    | 10.01 | 7.65  | 6.27  | 5.38  | 4.77  | 4.35  | 4.06  | 3.86  | 3.74  | 3.68  | 3.67  | 3.67  | 3.67  | 3.67  |
| 156.0                | 13.16                    | 8.88  | 6.78  | 5.54  | 4.75  | 4.20  | 3.82  | 3.54  | 3.36  | 3.23  | 3.16  | 3.14  | 3.14  | 3.14  | 3.14  |
| 162.0                | 11.74                    | 7.92  | 6.04  | 4.93  | 4.21  | 3.72  | 3.37  | 3.12  | 2.94  | 2.82  | 2.74  | 2.70  | 2.70  | 2.70  | 2.70  |
| 168.0                | 10.52                    | 7.09  | 5.40  | 4.40  | 3.75  | 3.31  | 2.99  | 2.76  | 2.59  | 2.47  | 2.39  | 2.35  | 2.33  | 2.33  | 2.33  |
| 174.0                | 9.46                     | 6.37  | 4.85  | 3.95  | 3.36  | 2.96  | 2.66  | 2.45  | 2.29  | 2.18  | 2.10  | 2.05  | 2.03  | 2.03  | 2.03  |
| 180.0                | 8.54                     | 5.75  | 4.37  | 3.55  | 3.02  | 2.65  | 2.39  | 2.19  | 2.04  | 1.94  | 1.86  | 1.81  | 1.78  | 1.77  | 1.77  |
| 186.0                | 7.74                     | 5.21  | 3.95  | 3.21  | 2.73  | 2.39  | 2.15  | 1.97  | 1.83  | 1.73  | 1.66  | 1.60  | 1.57  | 1.55  | 1.55  |
| 192.0                | 7.03                     | 4.73  | 3.59  | 2.91  | 2.47  | 2.16  | 1.94  | 1.77  | 1.65  | 1.55  | 1.48  | 1.43  | 1.39  | 1.37  | 1.37  |



**1/2" X 5 3/16"  
LVL MULL PROFILE**



$$\frac{A + B = W}{2}$$

**NOTE:**

- 1) MULLION CHART APPLIES TO 1/2" X 5 3/16" LVL MULL ASSEMBLIES, WHEN MULLED IN ONE-WAY CONFIGURATIONS.
- 2) DESIGN PRESSURE VALUES ARE POSITIVE AND NEGATIVE IN PSF.
- 3) MAXIMUM DEFLECTION HAS BEEN LIMITED TO L/175.
- 4) DESIGN PRESSURE OF ASSEMBLY IS LIMITED TO THE LESSER DESIGN PRESSURE OF THE MULLION ASSEMBLY OR THE INDIVIDUAL UNIT OF INSTALLATION. ADJACENT E-SERIES WINDOWS OR DOORS SHALL BE UNDER SEPARATE FL APPROVAL.
- 5) MULLION CHART APPLIES TO THE INSTALLATION CONDITIONS LISTED ON SHEET 10
- 6) TRIBUTARY WIDTH =  $W = (A+B)/2$
- 7) WHEN WINDOWS ARE STACKED VERTICALLY, THE MANUFACTURER/INSTALLER SHALL ENSURE THAT THE WEIGHT OF UNITS ABOVE WILL NOT CAUSE DEFLECTIONS OR STRESSES WHICH WILL AFFECT OPERATION OR STRUCTURAL ADEQUACY OF UNITS BELOW.

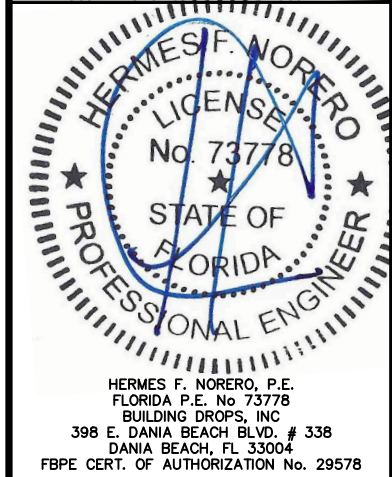


100 FOURTH AVE NORTH  
BAYPORT, MN 55003-1096  
PH: (651) 264-5150 FX: (651) 264-5485

TITLE: E-SERIES SPECIALTY (AUXILIARY) FIXED WINDOW (NON-HVHZ) (NON-IMPACT)  
1/2" X 5 3/16" MULLION LOADS TABLE - ONE WAY  
PREPARED BY: BUILDING DROPS, INC.  
398 E. DANIA BEACH BLVD., STE. 338  
DANIA BEACH, FL 33004  
PH: (954) 399-8478  
FAX: (954) 744-4738  
WEB: www.buildingdrops.com

| REMARKS                | BY | DATE    |
|------------------------|----|---------|
| 1/2" LVL MULL ADDITION | HR | 4.3.19  |
| ADDED MULL & DP CHARTS | LL | 7.15.19 |
|                        |    |         |

THE INSTALLATION DETAILS DESCRIBED HEREIN ARE GENERIC AND MAY NOT REFLECT ACTUAL CONDITIONS FOR A SPECIFIC SITE. IF SITE CONDITIONS CAUSE INSTALLATION TO DEVIATE FROM THE REQUIREMENTS DETAILED HEREIN, A LICENSED ENGINEER OR ARCHITECT SHALL PREPARE SITE SPECIFIC DOCUMENTS FOR USE WITH THIS DOCUMENT.

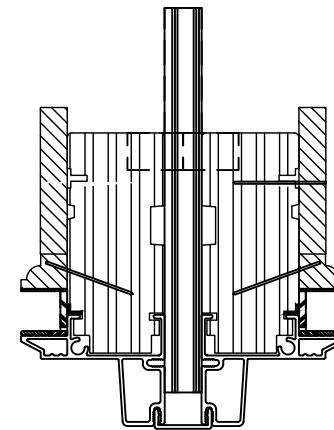


|          |                 |
|----------|-----------------|
| FL #:    | <b>FL24230</b>  |
| DATE:    | <b>10.12.17</b> |
| DWG. BY: | <b>AG</b>       |
| CHK. BY: | <b>HFN</b>      |
| SCALE:   | <b>NTS</b>      |
| DWG. #:  | <b>AWD208</b>   |
| SHEET:   | <b>16</b>       |

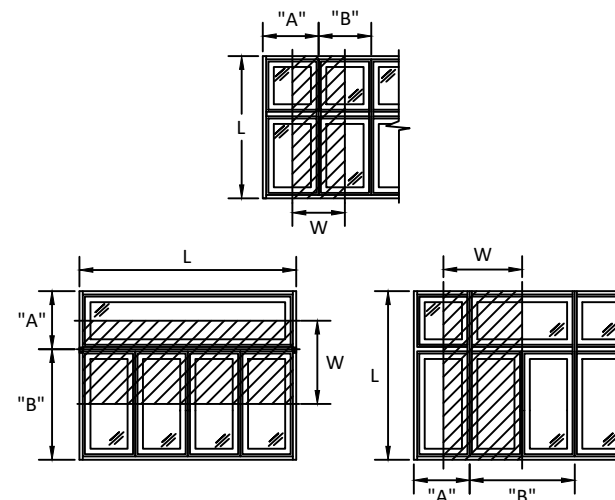


**MAXIMUM DESIGN PRESSURE CAPACITY CHART (PSF)**  
**1/2" X 5-3/16" STRUCTURAL MULLION (TWO-WAY) CONFIGURATION**

| L - Mull Length (in) | W - Tributary Width (in) |       |       |       |       |       |       |       |       |       |       |       |       |       |       |
|----------------------|--------------------------|-------|-------|-------|-------|-------|-------|-------|-------|-------|-------|-------|-------|-------|-------|
|                      | 24.0                     | 36.0  | 48.0  | 60.0  | 72.0  | 84.0  | 96.0  | 108.0 | 120.0 | 132.0 | 144.0 | 156.0 | 168.0 | 180.0 | 192.0 |
| 24.0                 | 75.00                    | 75.00 | 75.00 | 75.00 | 75.00 | 66.86 | 58.50 | 52.00 | 46.80 | 42.55 | 39.00 | 36.00 | 33.43 | 31.20 | 29.25 |
| 30.0                 | 75.00                    | 75.00 | 75.00 | 74.88 | 62.40 | 53.49 | 46.80 | 41.60 | 37.44 | 34.04 | 31.20 | 28.80 | 26.74 | 24.96 | 23.40 |
| 36.0                 | 75.00                    | 75.00 | 75.00 | 62.40 | 52.00 | 44.57 | 39.00 | 34.67 | 31.20 | 28.36 | 26.00 | 24.00 | 22.29 | 20.80 | 19.50 |
| 42.0                 | 75.00                    | 75.00 | 66.86 | 53.49 | 44.57 | 38.20 | 33.43 | 29.71 | 26.74 | 24.31 | 22.29 | 20.57 | 19.10 | 17.83 | 16.71 |
| 48.0                 | 75.00                    | 75.00 | 58.50 | 46.80 | 39.00 | 33.43 | 29.25 | 26.00 | 23.40 | 21.27 | 19.50 | 18.00 | 16.71 | 15.60 | 14.63 |
| 54.0                 | 75.00                    | 69.33 | 52.00 | 41.60 | 34.67 | 29.71 | 26.00 | 23.11 | 20.80 | 18.91 | 17.33 | 16.00 | 14.86 | 13.87 | 13.00 |
| 60.0                 | 75.00                    | 62.40 | 46.80 | 37.44 | 31.20 | 26.74 | 23.40 | 20.80 | 18.72 | 17.02 | 15.60 | 14.40 | 13.37 | 12.48 | 11.70 |
| 66.0                 | 75.00                    | 56.73 | 42.55 | 34.04 | 28.36 | 24.31 | 21.27 | 18.91 | 17.02 | 15.47 | 14.18 | 13.09 | 12.16 | 11.35 | 10.64 |
| 72.0                 | 75.00                    | 52.00 | 39.00 | 31.20 | 26.00 | 22.29 | 19.50 | 17.33 | 15.60 | 14.18 | 13.00 | 12.00 | 11.14 | 10.40 | 9.75  |
| 78.0                 | 72.00                    | 48.00 | 36.00 | 28.80 | 24.00 | 20.57 | 18.00 | 16.00 | 14.40 | 13.09 | 12.00 | 11.08 | 10.29 | 9.60  | 9.00  |
| 84.0                 | 66.86                    | 44.57 | 33.43 | 26.74 | 22.29 | 19.10 | 16.71 | 14.86 | 13.37 | 12.16 | 11.14 | 10.29 | 9.55  | 8.91  | 8.36  |
| 90.0                 | 62.40                    | 41.60 | 31.20 | 24.96 | 20.80 | 17.83 | 15.60 | 13.87 | 12.48 | 11.35 | 10.40 | 9.60  | 8.91  | 8.32  | 7.80  |
| 96.0                 | 55.97                    | 37.32 | 27.99 | 22.39 | 18.66 | 15.99 | 13.99 | 12.44 | 11.19 | 10.18 | 9.33  | 8.61  | 8.00  | 7.46  | 7.00  |
| 102.0                | 46.67                    | 31.11 | 23.33 | 18.67 | 15.56 | 13.33 | 11.67 | 10.37 | 9.33  | 8.48  | 7.78  | 7.18  | 6.67  | 6.22  | 5.83  |
| 108.0                | 39.31                    | 26.21 | 19.66 | 15.72 | 13.10 | 11.23 | 9.83  | 8.74  | 7.86  | 7.15  | 6.55  | 6.05  | 5.62  | 5.24  | 4.91  |
| 114.0                | 33.43                    | 22.28 | 16.71 | 13.37 | 11.14 | 9.55  | 8.36  | 7.43  | 6.69  | 6.08  | 5.57  | 5.14  | 4.78  | 4.46  | 4.18  |
| 120.0                | 28.66                    | 19.11 | 14.33 | 11.46 | 9.55  | 8.19  | 7.16  | 6.37  | 5.73  | 5.21  | 4.78  | 4.41  | 4.09  | 3.82  | 3.58  |
| 126.0                | 24.76                    | 16.50 | 12.38 | 9.90  | 8.25  | 7.07  | 6.19  | 5.50  | 4.95  | 4.50  | 4.13  | 3.81  | 3.54  | 3.30  | 3.09  |
| 132.0                | 21.53                    | 14.35 | 10.77 | 8.61  | 7.18  | 6.15  | 5.38  | 4.78  | 4.31  | 3.91  | 3.59  | 3.31  | 3.08  | 2.87  | 2.69  |
| 138.0                | 18.84                    | 12.56 | 9.42  | 7.54  | 6.28  | 5.38  | 4.71  | 4.19  | 3.77  | 3.43  | 3.14  | 2.90  | 2.69  | 2.51  | 2.36  |
| 144.0                | 16.58                    | 11.06 | 8.29  | 6.63  | 5.53  | 4.74  | 4.15  | 3.69  | 3.32  | 3.02  | 2.76  | 2.55  | 2.37  | 2.21  | 2.07  |
| 150.0                | 14.67                    | 9.78  | 7.34  | 5.87  | 4.89  | 4.19  | 3.67  | 3.26  | 2.93  | 2.67  | 2.45  | 2.26  | 2.10  | 1.96  | 1.83  |
| 156.0                | 13.04                    | 8.70  | 6.52  | 5.22  | 4.35  | 3.73  | 3.26  | 2.90  | 2.61  | 2.37  | 2.17  | 2.01  | 1.86  | 1.74  | 1.63  |
| 162.0                | 11.65                    | 7.77  | 5.82  | 4.66  | 3.88  | 3.33  | 2.91  | 2.59  | 2.33  | 2.12  | 1.94  | 1.79  | 1.66  | 1.55  | 1.46  |
| 168.0                | 10.44                    | 6.96  | 5.22  | 4.18  | 3.48  | 2.98  | 2.61  | 2.32  | 2.09  | 1.90  | 1.74  | 1.61  | 1.49  | 1.39  | 1.31  |
| 174.0                | 9.40                     | 6.27  | 4.70  | 3.76  | 3.13  | 2.69  | 2.35  | 2.09  | 1.88  | 1.71  | 1.57  | 1.45  | 1.34  | 1.25  | 1.18  |
| 180.0                | 8.49                     | 5.66  | 4.25  | 3.40  | 2.83  | 2.43  | 2.12  | 1.89  | 1.70  | 1.54  | 1.42  | 1.31  | 1.21  | 1.13  | 1.06  |
| 186.0                | 7.70                     | 5.13  | 3.85  | 3.08  | 2.57  | 2.20  | 1.92  | 1.71  | 1.54  | 1.40  | 1.28  | 1.18  | 1.10  | 1.03  | 0.96  |
| 192.0                | 7.00                     | 4.66  | 3.50  | 2.80  | 2.33  | 2.00  | 1.75  | 1.55  | 1.40  | 1.27  | 1.17  | 1.08  | 1.00  | 0.93  | 0.87  |



**1/2" X 5 3/16"**  
**LVL MULLION PROFILE**



$$\frac{A + B}{2} = W$$

**NOTE:**

- 1) MULLION CHART APPLIES TO 1/2" X 5 3/16" LVL MULLION ASSEMBLIES, WHEN MULLED IN TWO-WAY CONFIGURATIONS.
- 2) DESIGN PRESSURE VALUES ARE POSITIVE AND NEGATIVE IN PSF.
- 3) MAXIMUM DEFLECTION HAS BEEN LIMITED TO L/175.
- 4) DESIGN PRESSURE OF ASSEMBLY IS LIMITED TO THE LESSER DESIGN PRESSURE OF THE MULLION ASSEMBLY OR THE INDIVIDUAL UNIT OF INSTALLATION. ADJACENT E-SERIES WINDOWS OR DOORS SHALL BE UNDER SEPARATE FL APPROVAL.
- 5) MULLION CHART APPLIES TO THE INSTALLATION CONDITIONS LISTED ON SHEET 10
- 6) TRIBUTARY WIDTH =  $W = (A+B)/2$
- 7) WHEN WINDOWS ARE STACKED VERTICALLY, THE MANUFACTURER/INSTALLER SHALL ENSURE THAT THE WEIGHT OF UNITS ABOVE WILL NOT CAUSE DEFLECTIONS OR STRESSES WHICH WILL AFFECT OPERATION OR STRUCTURAL ADEQUACY OF UNITS BELOW.



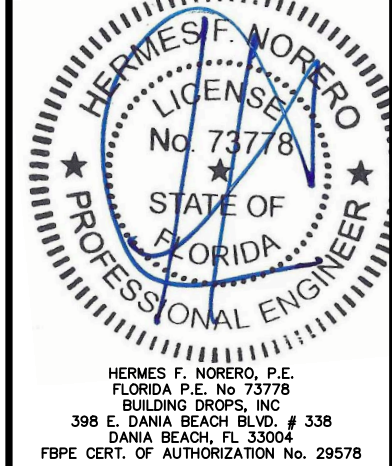
100 FOURTH AVE NORTH  
 BAYPORT, MN 55003-1096  
 PH: (651) 264-5150 FX: (651) 264-5485

TITLE: E-SERIES SPECIALTY (AUXILIARY) FIXED WINDOW (NON-HVHZ) (NON-IMPACT)  
 1/2" X 5-3/16" MULLION LOADS TABLE - TWO WAY

PREPARED BY:  
**BUILDING DROPS, INC.**  
 398 E. DANIA BEACH BLVD., STE. 338  
 DANIA BEACH, FL 33004  
 PH: (954) 399-8478  
 FAX: (954) 744-4738  
 WEB: www.buildingdrops.com

| REMARKS                | BY | DATE    |
|------------------------|----|---------|
| 1/2" LVL MULL ADDITION | HR | 4.3.19  |
| ADDED MULL & DP CHARTS | LL | 7.15.19 |

THE INSTALLATION DETAILS DESCRIBED HEREIN ARE GENERIC AND MAY NOT REFLECT ACTUAL CONDITIONS FOR A SPECIFIC SITE. IF SITE CONDITIONS CAUSE INSTALLATION TO DEVIATE FROM THE REQUIREMENTS DETAILED HEREIN, A LICENSED ENGINEER OR ARCHITECT SHALL PREPARE SITE SPECIFIC DOCUMENTS FOR USE WITH THIS DOCUMENT.



|          |                 |
|----------|-----------------|
| FL #:    | <b>FL24230</b>  |
| DATE:    | <b>10.12.17</b> |
| DWG. BY: | <b>AG</b>       |
| CHK. BY: | <b>HFN</b>      |
| SCALE:   | <b>NTS</b>      |
| DWG. #:  | <b>AWD208</b>   |
| SHEET:   | <b>17</b>       |

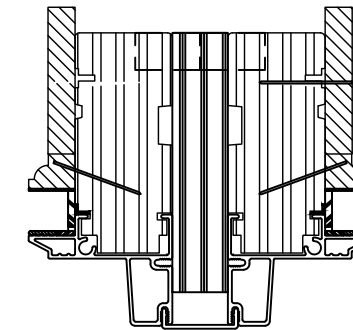






**MAXIMUM DESIGN PRESSURE CAPACITY CHART (PSF)  
3/4" X 3-1/2" STRUCTURAL MULLION (TWO-WAY) CONFIGURATION**

| L - Mull Length (in) | W - Tributary Width (in) |       |       |       |       |       |       |       |       |       |       |       |       |       |       |
|----------------------|--------------------------|-------|-------|-------|-------|-------|-------|-------|-------|-------|-------|-------|-------|-------|-------|
|                      | 24.0                     | 36.0  | 48.0  | 60.0  | 72.0  | 84.0  | 96.0  | 108.0 | 120.0 | 132.0 | 144.0 | 156.0 | 168.0 | 180.0 | 192.0 |
| 24.0                 | 75.00                    | 75.00 | 75.00 | 75.00 | 75.00 | 66.86 | 58.50 | 52.00 | 46.80 | 42.55 | 39.00 | 36.00 | 33.43 | 31.20 | 29.25 |
| 30.0                 | 75.00                    | 75.00 | 75.00 | 74.88 | 62.40 | 53.49 | 46.80 | 41.60 | 37.44 | 34.04 | 31.20 | 28.80 | 26.74 | 24.96 | 23.40 |
| 36.0                 | 75.00                    | 75.00 | 75.00 | 62.40 | 52.00 | 44.57 | 39.00 | 34.67 | 31.20 | 28.36 | 26.00 | 24.00 | 22.29 | 20.80 | 19.50 |
| 42.0                 | 75.00                    | 75.00 | 66.86 | 53.49 | 44.57 | 38.20 | 33.43 | 29.71 | 26.74 | 24.31 | 22.29 | 20.57 | 19.10 | 17.83 | 16.71 |
| 48.0                 | 75.00                    | 75.00 | 58.50 | 46.80 | 39.00 | 33.43 | 29.25 | 26.00 | 23.40 | 21.27 | 19.50 | 18.00 | 16.71 | 15.60 | 14.63 |
| 54.0                 | 75.00                    | 69.33 | 52.00 | 41.60 | 34.67 | 29.71 | 26.00 | 23.11 | 20.80 | 18.91 | 17.33 | 16.00 | 14.86 | 13.87 | 13.00 |
| 60.0                 | 75.00                    | 62.40 | 46.80 | 37.44 | 31.20 | 26.74 | 23.40 | 20.80 | 18.72 | 17.02 | 15.60 | 14.40 | 13.37 | 12.48 | 11.70 |
| 66.0                 | 75.00                    | 56.73 | 42.55 | 34.04 | 28.36 | 24.31 | 21.27 | 18.91 | 17.02 | 15.47 | 14.18 | 13.09 | 12.16 | 11.35 | 10.64 |
| 72.0                 | 75.00                    | 52.00 | 39.00 | 31.20 | 26.00 | 22.29 | 19.50 | 17.33 | 15.60 | 14.18 | 13.00 | 12.00 | 11.14 | 10.40 | 9.75  |
| 78.0                 | 72.00                    | 48.00 | 36.00 | 28.80 | 24.00 | 20.57 | 18.00 | 16.00 | 14.40 | 13.09 | 12.00 | 11.08 | 10.29 | 9.60  | 9.00  |
| 84.0                 | 58.47                    | 38.98 | 29.23 | 23.39 | 19.49 | 16.71 | 14.62 | 12.99 | 11.69 | 10.63 | 9.74  | 9.00  | 8.35  | 7.80  | 7.31  |
| 90.0                 | 47.54                    | 31.69 | 23.77 | 19.01 | 15.85 | 13.58 | 11.88 | 10.56 | 9.51  | 8.64  | 7.92  | 7.31  | 6.79  | 6.34  | 5.94  |
| 96.0                 | 39.17                    | 26.11 | 19.58 | 15.67 | 13.06 | 11.19 | 9.79  | 8.70  | 7.83  | 7.12  | 6.53  | 6.03  | 5.60  | 5.22  | 4.90  |
| 102.0                | 32.66                    | 21.77 | 16.33 | 13.06 | 10.89 | 9.33  | 8.16  | 7.26  | 6.53  | 5.94  | 5.44  | 5.02  | 4.67  | 4.35  | 4.08  |
| 108.0                | 27.51                    | 18.34 | 13.76 | 11.00 | 9.17  | 7.86  | 6.88  | 6.11  | 5.50  | 5.00  | 4.59  | 4.23  | 3.93  | 3.67  | 3.44  |
| 114.0                | 23.39                    | 15.59 | 11.70 | 9.36  | 7.80  | 6.68  | 5.85  | 5.20  | 4.68  | 4.25  | 3.90  | 3.60  | 3.34  | 3.12  | 2.92  |
| 120.0                | 20.05                    | 13.37 | 10.03 | 8.02  | 6.68  | 5.73  | 5.01  | 4.46  | 4.01  | 3.65  | 3.34  | 3.09  | 2.86  | 2.67  | 2.51  |
| 126.0                | 17.32                    | 11.55 | 8.66  | 6.93  | 5.77  | 4.95  | 4.33  | 3.85  | 3.46  | 3.15  | 2.89  | 2.67  | 2.47  | 2.31  | 2.17  |
| 132.0                | 15.07                    | 10.04 | 7.53  | 6.03  | 5.02  | 4.30  | 3.77  | 3.35  | 3.01  | 2.74  | 2.51  | 2.32  | 2.15  | 2.01  | 1.88  |
| 138.0                | 13.19                    | 8.79  | 6.59  | 5.27  | 4.40  | 3.77  | 3.30  | 2.93  | 2.64  | 2.40  | 2.20  | 2.03  | 1.88  | 1.76  | 1.65  |
| 144.0                | 11.61                    | 7.74  | 5.80  | 4.64  | 3.87  | 3.32  | 2.90  | 2.58  | 2.32  | 2.11  | 1.93  | 1.79  | 1.66  | 1.55  | 1.45  |
| 150.0                | 10.27                    | 6.85  | 5.13  | 4.11  | 3.42  | 2.93  | 2.57  | 2.28  | 2.05  | 1.87  | 1.71  | 1.58  | 1.47  | 1.37  | 1.28  |
| 156.0                | 9.13                     | 6.09  | 4.56  | 3.65  | 3.04  | 2.61  | 2.28  | 2.03  | 1.83  | 1.66  | 1.52  | 1.40  | 1.30  | 1.22  | 1.14  |
| 162.0                | 8.15                     | 5.43  | 4.08  | 3.26  | 2.72  | 2.33  | 2.04  | 1.81  | 1.63  | 1.48  | 1.36  | 1.25  | 1.16  | 1.09  | 1.02  |
| 168.0                | 7.31                     | 4.87  | 3.65  | 2.92  | 2.44  | 2.09  | 1.83  | 1.62  | 1.46  | 1.33  | 1.22  | 1.12  | 1.04  | 0.97  | 0.91  |
| 174.0                | 6.58                     | 4.39  | 3.29  | 2.63  | 2.19  | 1.88  | 1.64  | 1.46  | 1.32  | 1.20  | 1.10  | 1.01  | 0.94  | 0.88  | 0.82  |
| 180.0                | 5.94                     | 3.96  | 2.97  | 2.38  | 1.98  | 1.70  | 1.49  | 1.32  | 1.19  | 1.08  | 0.99  | 0.91  | 0.85  | 0.79  | 0.74  |
| 186.0                | 5.39                     | 3.59  | 2.69  | 2.15  | 1.80  | 1.54  | 1.35  | 1.20  | 1.08  | 0.98  | 0.90  | 0.83  | 0.77  | 0.72  | 0.67  |
| 192.0                | 4.90                     | 3.26  | 2.45  | 1.96  | 1.63  | 1.40  | 1.22  | 1.09  | 0.98  | 0.89  | 0.82  | 0.75  | 0.70  | 0.65  | 0.61  |

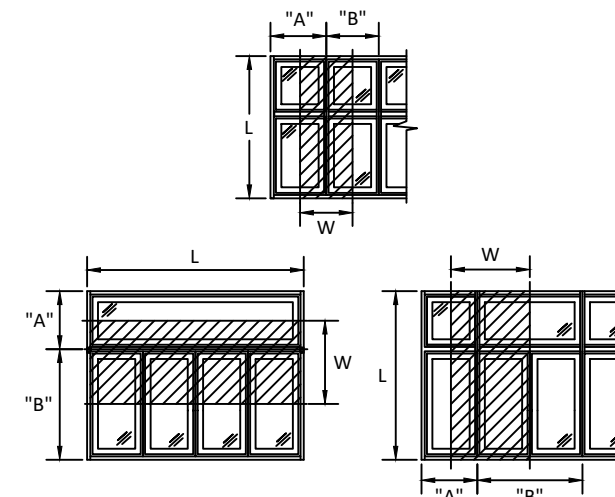


**3/4" X 3 1/2"  
LVL MULLION PROFILE**

**NOTE:**

- 1) MULLION CHART APPLIES TO 3/4" X 3 1/2" LVL MULLION ASSEMBLIES, WHEN MULLED IN TWO-WAY CONFIGURATIONS.
- 2) DESIGN PRESSURE VALUES ARE POSITIVE AND NEGATIVE IN PSF.
- 3) MAXIMUM DEFLECTION HAS BEEN LIMITED TO L/175.
- 4) DESIGN PRESSURE OF ASSEMBLY IS LIMITED TO THE LESSER DESIGN PRESSURE OF THE MULLION ASSEMBLY OR THE INDIVIDUAL UNIT OF INSTALLATION. ADJACENT E-SERIES WINDOWS OR DOORS SHALL BE UNDER SEPARATE FL APPROVAL.
- 5) MULLION CHART APPLIES TO THE INSTALLATION CONDITIONS LISTED ON SHEET 10
- 6) TRIBUTARY WIDTH =  $W = (A+B)/2$
- 7) WHEN WINDOWS ARE STACKED VERTICALLY, THE MANUFACTURER/INSTALLER SHALL ENSURE THAT THE WEIGHT OF UNITS ABOVE WILL NOT CAUSE DEFLECTIONS OR STRESSES WHICH WILL AFFECT OPERATION OR STRUCTURAL ADEQUACY OF UNITS BELOW.

$$\frac{A+B}{2} = W$$



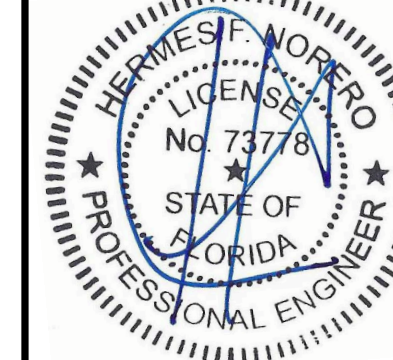
100 FOURTH AVE NORTH  
BAYPORT, MN 55003-1096  
PH: (651) 264-5150 FX: (651) 264-5485

TITLE: E-SERIES SPECIALTY (AUXILIARY) FIXED WINDOW (NON-HVHZ) (NON-IMPACT)  
3/4" X 3-1/2" MULLION LOADS TABLE - TWO WAY

PREPARED BY:  
**BUILDING DROPS, INC.**  
398 E. DANIA BEACH BLVD., STE. 338  
DANIA BEACH, FL 33004  
PH: (954) 399-8478  
FAX: (954) 744-4738  
WEB: www.buildingdrops.com

| REMARKS                   | BY | DATE    |
|---------------------------|----|---------|
| 1/2" LVL MULLION ADDITION | HR | 4.3.19  |
| ADDED MULL & DP CHARTS    | LL | 7.15.19 |

THE INSTALLATION DETAILS DESCRIBED HEREIN ARE GENERIC AND MAY NOT REFLECT ACTUAL CONDITIONS FOR A SPECIFIC SITE. IF SITE CONDITIONS CAUSE INSTALLATION TO DEVIATE FROM THE REQUIREMENTS DETAILED HEREIN, A LICENSED ENGINEER OR ARCHITECT SHALL PREPARE SITE SPECIFIC DOCUMENTS FOR USE WITH THIS DOCUMENT.



HERMES F. NORERO, P.E.  
FLORIDA P.E. No. 73778  
BUILDING DROPS, INC.  
398 E. DANIA BEACH BLVD. # 338  
DANIA BEACH, FL 33004  
FBPE CERT. OF AUTHORIZATION No. 29578

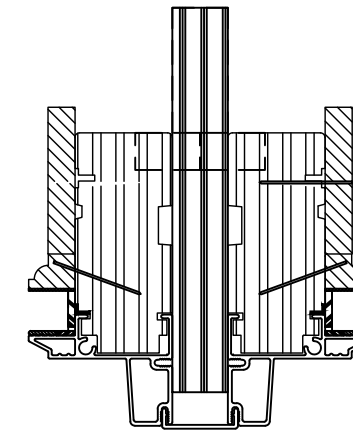
|          |                 |
|----------|-----------------|
| FL #:    | <b>FL24230</b>  |
| DATE:    | <b>10.12.17</b> |
| DWG. BY: | <b>AG</b>       |
| CHK. BY: | <b>HFN</b>      |
| SCALE:   | <b>NTS</b>      |
| DWG. #:  | <b>AWD208</b>   |

SHEET:  
**19**  
OF 29

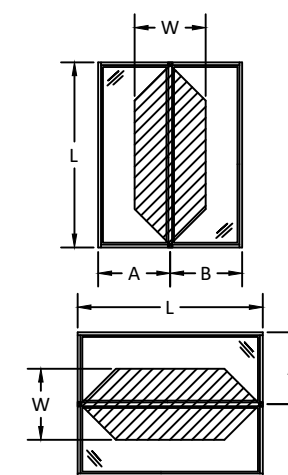


**MAXIMUM DESIGN PRESSURE CAPACITY CHART (PSF)  
3/4" X 5-3/16" STRUCTURAL MULLION (ONE-WAY) CONFIGURATION**

| L - Mull Length (in) | W - Tributary Width (in) |       |       |       |       |       |       |       |       |       |       |       |       |       |       |
|----------------------|--------------------------|-------|-------|-------|-------|-------|-------|-------|-------|-------|-------|-------|-------|-------|-------|
|                      | 24.0                     | 36.0  | 48.0  | 60.0  | 72.0  | 84.0  | 96.0  | 108.0 | 120.0 | 132.0 | 144.0 | 156.0 | 168.0 | 180.0 | 192.0 |
| 24.0                 | 75.00                    | 75.00 | 75.00 | 75.00 | 75.00 | 75.00 | 75.00 | 75.00 | 75.00 | 75.00 | 75.00 | 75.00 | 75.00 | 75.00 | 75.00 |
| 30.0                 | 75.00                    | 75.00 | 75.00 | 75.00 | 75.00 | 75.00 | 75.00 | 75.00 | 75.00 | 75.00 | 75.00 | 75.00 | 75.00 | 75.00 | 75.00 |
| 36.0                 | 75.00                    | 75.00 | 75.00 | 75.00 | 75.00 | 75.00 | 75.00 | 75.00 | 75.00 | 75.00 | 75.00 | 75.00 | 75.00 | 75.00 | 75.00 |
| 42.0                 | 75.00                    | 75.00 | 75.00 | 75.00 | 75.00 | 75.00 | 75.00 | 75.00 | 75.00 | 75.00 | 75.00 | 75.00 | 75.00 | 75.00 | 75.00 |
| 48.0                 | 75.00                    | 75.00 | 75.00 | 75.00 | 75.00 | 75.00 | 75.00 | 75.00 | 75.00 | 75.00 | 75.00 | 75.00 | 75.00 | 75.00 | 75.00 |
| 54.0                 | 75.00                    | 75.00 | 75.00 | 75.00 | 75.00 | 75.00 | 75.00 | 75.00 | 75.00 | 75.00 | 75.00 | 75.00 | 75.00 | 75.00 | 75.00 |
| 60.0                 | 75.00                    | 75.00 | 75.00 | 74.88 | 74.88 | 74.88 | 74.88 | 74.88 | 74.88 | 74.88 | 74.88 | 74.88 | 74.88 | 74.88 | 74.88 |
| 66.0                 | 75.00                    | 75.00 | 66.86 | 62.40 | 61.88 | 61.88 | 61.88 | 61.88 | 61.88 | 61.88 | 61.88 | 61.88 | 61.88 | 61.88 | 61.88 |
| 72.0                 | 75.00                    | 69.33 | 58.50 | 53.49 | 52.00 | 52.00 | 52.00 | 52.00 | 52.00 | 52.00 | 52.00 | 52.00 | 52.00 | 52.00 | 52.00 |
| 78.0                 | 75.00                    | 62.40 | 52.00 | 46.80 | 44.57 | 44.31 | 44.31 | 44.31 | 44.31 | 44.31 | 44.31 | 44.31 | 44.31 | 44.31 | 44.31 |
| 84.0                 | 75.00                    | 56.73 | 46.80 | 41.60 | 39.00 | 38.20 | 38.20 | 38.20 | 38.20 | 38.20 | 38.20 | 38.20 | 38.20 | 38.20 | 38.20 |
| 90.0                 | 72.00                    | 52.00 | 42.55 | 37.44 | 34.67 | 33.43 | 33.28 | 33.28 | 33.28 | 33.28 | 33.28 | 33.28 | 33.28 | 33.28 | 33.28 |
| 96.0                 | 66.86                    | 48.00 | 39.00 | 33.66 | 30.27 | 28.52 | 27.95 | 27.95 | 27.95 | 27.95 | 27.95 | 27.95 | 27.95 | 27.95 | 27.95 |
| 102.0                | 60.98                    | 41.85 | 32.66 | 27.53 | 24.52 | 22.82 | 22.04 | 21.93 | 21.93 | 21.93 | 21.93 | 21.93 | 21.93 | 21.93 | 21.93 |
| 108.0                | 51.24                    | 35.06 | 27.25 | 22.83 | 20.17 | 18.58 | 17.73 | 17.45 | 17.45 | 17.45 | 17.45 | 17.45 | 17.45 | 17.45 | 17.45 |
| 114.0                | 43.48                    | 29.67 | 22.97 | 19.15 | 16.81 | 15.36 | 14.51 | 14.11 | 14.06 | 14.06 | 14.06 | 14.06 | 14.06 | 14.06 | 14.06 |
| 120.0                | 37.21                    | 25.33 | 19.56 | 16.24 | 14.17 | 12.86 | 12.04 | 11.60 | 11.45 | 11.45 | 11.45 | 11.45 | 11.45 | 11.45 | 11.45 |
| 126.0                | 32.09                    | 21.81 | 16.79 | 13.89 | 12.07 | 10.89 | 10.12 | 9.67  | 9.45  | 9.42  | 9.42  | 9.42  | 9.42  | 9.42  | 9.42  |
| 132.0                | 27.87                    | 18.91 | 14.53 | 11.98 | 10.37 | 9.31  | 8.60  | 8.15  | 7.91  | 7.82  | 7.82  | 7.82  | 7.82  | 7.82  | 7.82  |
| 138.0                | 24.36                    | 16.50 | 12.65 | 10.41 | 8.98  | 8.02  | 7.38  | 6.95  | 6.69  | 6.57  | 6.55  | 6.55  | 6.55  | 6.55  | 6.55  |
| 144.0                | 21.42                    | 14.49 | 11.09 | 9.11  | 7.83  | 6.97  | 6.38  | 5.98  | 5.72  | 5.57  | 5.52  | 5.52  | 5.52  | 5.52  | 5.52  |
| 150.0                | 18.93                    | 12.80 | 9.78  | 8.01  | 6.87  | 6.10  | 5.56  | 5.19  | 4.93  | 4.78  | 4.70  | 4.69  | 4.69  | 4.69  | 4.69  |
| 156.0                | 16.82                    | 11.35 | 8.66  | 7.09  | 6.07  | 5.37  | 4.88  | 4.53  | 4.29  | 4.13  | 4.04  | 4.01  | 4.01  | 4.01  | 4.01  |
| 162.0                | 15.01                    | 10.12 | 7.72  | 6.30  | 5.38  | 4.75  | 4.30  | 3.98  | 3.76  | 3.60  | 3.50  | 3.45  | 3.45  | 3.45  | 3.45  |
| 168.0                | 13.45                    | 9.06  | 6.90  | 5.63  | 4.80  | 4.23  | 3.82  | 3.52  | 3.31  | 3.16  | 3.06  | 3.00  | 2.98  | 2.98  | 2.98  |
| 174.0                | 12.10                    | 8.15  | 6.20  | 5.05  | 4.30  | 3.78  | 3.41  | 3.13  | 2.93  | 2.79  | 2.69  | 2.63  | 2.60  | 2.59  | 2.59  |
| 180.0                | 10.92                    | 7.35  | 5.59  | 4.54  | 3.86  | 3.39  | 3.05  | 2.80  | 2.61  | 2.48  | 2.38  | 2.31  | 2.28  | 2.26  | 2.26  |
| 186.0                | 9.89                     | 6.65  | 5.05  | 4.11  | 3.49  | 3.06  | 2.74  | 2.51  | 2.34  | 2.21  | 2.12  | 2.05  | 2.01  | 1.99  | 1.98  |
| 192.0                | 8.99                     | 6.04  | 4.59  | 3.72  | 3.16  | 2.76  | 2.48  | 2.26  | 2.10  | 1.98  | 1.89  | 1.83  | 1.78  | 1.76  | 1.75  |



**3/4" X 5 3/16"  
LVL MULL PROFILE**



$$\frac{A + B = W}{2}$$

**NOTE:**

- 1) MULLION CHART APPLIES TO 3/4" X 5 3/16" LVL MULL ASSEMBLIES, WHEN MULLED IN ONE-WAY CONFIGURATIONS.
- 2) DESIGN PRESSURE VALUES ARE POSITIVE AND NEGATIVE IN PSF.
- 3) MAXIMUM DEFLECTION HAS BEEN LIMITED TO L/175.
- 4) DESIGN PRESSURE OF ASSEMBLY IS LIMITED TO THE LESSER DESIGN PRESSURE OF THE MULLION ASSEMBLY OR THE INDIVIDUAL UNIT OF INSTALLATION. ADJACENT E-SERIES WINDOWS OR DOORS SHALL BE UNDER SEPARATE FL APPROVAL.
- 5) MULLION CHART APPLIES TO THE INSTALLATION CONDITIONS LISTED ON SHEET 10
- 6) TRIBUTARY WIDTH =  $W = (A+B)/2$
- 7) WHEN WINDOWS ARE STACKED VERTICALLY, THE MANUFACTURER/INSTALLER SHALL ENSURE THAT THE WEIGHT OF UNITS ABOVE WILL NOT CAUSE DEFLECTIONS OR STRESSES WHICH WILL AFFECT OPERATION OR STRUCTURAL ADEQUACY OF UNITS BELOW.



100 FOURTH AVE NORTH  
BAYPORT, MN 55003-1096  
PH: (651) 264-5150 FX: (651) 264-5485

TITLE: E-SERIES SPECIALTY (AUXILIARY) FIXED WINDOW (NON-HVHZ) (NON-IMPACT)  
3/4" X 5-3/16" MULLION LOADS TABLE - ONE WAY

PREPARED BY:  
**BUILDING DROPS, INC.**  
398 E. DANIA BEACH BLVD., STE. 338  
DANIA BEACH, FL 33004  
PH: (954) 399-8478  
FAX: (954) 744-4738  
WEB: www.buildingdrops.com



| REMARKS                | BY | DATE    |
|------------------------|----|---------|
| 1/2" LVL MULL ADDITION | HR | 4.3.19  |
| ADDED MULL & DP CHARTS | LL | 7.15.19 |
|                        |    |         |

THE INSTALLATION DETAILS DESCRIBED HEREIN ARE GENERIC AND MAY NOT REFLECT ACTUAL CONDITIONS FOR A SPECIFIC SITE. IF SITE CONDITIONS CAUSE INSTALLATION TO DEVIATE FROM THE REQUIREMENTS DETAILED HEREIN, A LICENSED ENGINEER OR ARCHITECT SHALL PREPARE SITE SPECIFIC DOCUMENTS FOR USE WITH THIS DOCUMENT.



HERMES F. NORERO, P.E.  
FLORIDA P.E. No. 73778  
BUILDING DROPS, INC.  
398 E. DANIA BEACH BLVD. # 338  
DANIA BEACH, FL 33004  
FBPE CERT. OF AUTHORIZATION No. 29578

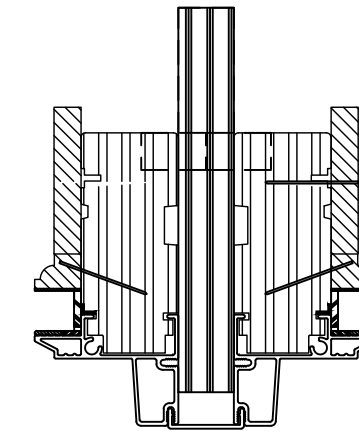
|          |                 |
|----------|-----------------|
| FL #:    | <b>FL24230</b>  |
| DATE:    | <b>10.12.17</b> |
| DWG. BY: | <b>AG</b>       |
| CHK. BY: | <b>HFN</b>      |
| SCALE:   | <b>NTS</b>      |
| DWG. #:  | <b>AWD208</b>   |

SHEET:  
**20**  
OF 29



**MAXIMUM DESIGN PRESSURE CAPACITY CHART (PSF)  
3/4" X 5-3/16" STRUCTURAL MULLION (TWO-WAY) CONFIGURATION**

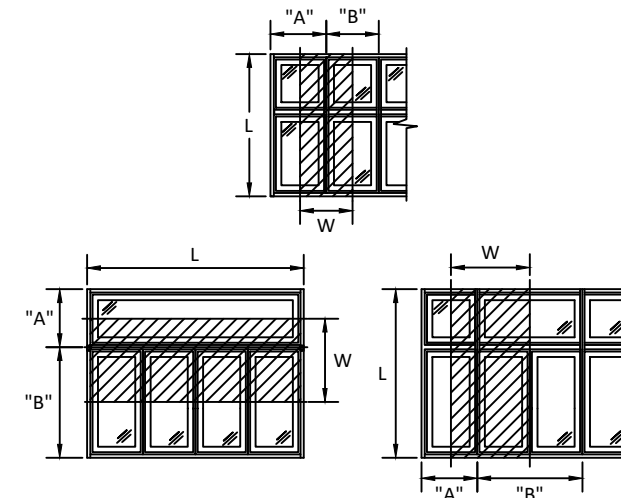
| L - Mull Length (in) | W - Tributary Width (in) |       |       |       |       |       |       |       |       |       |       |       |       |       |       |
|----------------------|--------------------------|-------|-------|-------|-------|-------|-------|-------|-------|-------|-------|-------|-------|-------|-------|
|                      | 24.0                     | 36.0  | 48.0  | 60.0  | 72.0  | 84.0  | 96.0  | 108.0 | 120.0 | 132.0 | 144.0 | 156.0 | 168.0 | 180.0 | 192.0 |
| 24.0                 | 75.00                    | 75.00 | 75.00 | 75.00 | 75.00 | 66.86 | 58.50 | 52.00 | 46.80 | 42.55 | 39.00 | 36.00 | 33.43 | 31.20 | 29.25 |
| 30.0                 | 75.00                    | 75.00 | 75.00 | 74.88 | 62.40 | 53.49 | 46.80 | 41.60 | 37.44 | 34.04 | 31.20 | 28.80 | 26.74 | 24.96 | 23.40 |
| 36.0                 | 75.00                    | 75.00 | 75.00 | 62.40 | 52.00 | 44.57 | 39.00 | 34.67 | 31.20 | 28.36 | 26.00 | 24.00 | 22.29 | 20.80 | 19.50 |
| 42.0                 | 75.00                    | 75.00 | 66.86 | 53.49 | 44.57 | 38.20 | 33.43 | 29.71 | 26.74 | 24.31 | 22.29 | 20.57 | 19.10 | 17.83 | 16.71 |
| 48.0                 | 75.00                    | 75.00 | 58.50 | 46.80 | 39.00 | 33.43 | 29.25 | 26.00 | 23.40 | 21.27 | 19.50 | 18.00 | 16.71 | 15.60 | 14.63 |
| 54.0                 | 75.00                    | 69.33 | 52.00 | 41.60 | 34.67 | 29.71 | 26.00 | 23.11 | 20.80 | 18.91 | 17.33 | 16.00 | 14.86 | 13.87 | 13.00 |
| 60.0                 | 75.00                    | 62.40 | 46.80 | 37.44 | 31.20 | 26.74 | 23.40 | 20.80 | 18.72 | 17.02 | 15.60 | 14.40 | 13.37 | 12.48 | 11.70 |
| 66.0                 | 75.00                    | 56.73 | 42.55 | 34.04 | 28.36 | 24.31 | 21.27 | 18.91 | 17.02 | 15.47 | 14.18 | 13.09 | 12.16 | 11.35 | 10.64 |
| 72.0                 | 75.00                    | 52.00 | 39.00 | 31.20 | 26.00 | 22.29 | 19.50 | 17.33 | 15.60 | 14.18 | 13.00 | 12.00 | 11.14 | 10.40 | 9.75  |
| 78.0                 | 72.00                    | 48.00 | 36.00 | 28.80 | 24.00 | 20.57 | 18.00 | 16.00 | 14.40 | 13.09 | 12.00 | 11.08 | 10.29 | 9.60  | 9.00  |
| 84.0                 | 66.86                    | 44.57 | 33.43 | 26.74 | 22.29 | 19.10 | 16.71 | 14.86 | 13.37 | 12.16 | 11.14 | 10.29 | 9.55  | 8.91  | 8.36  |
| 90.0                 | 62.40                    | 41.60 | 31.20 | 24.96 | 20.80 | 17.83 | 15.60 | 13.87 | 12.48 | 11.35 | 10.40 | 9.60  | 8.91  | 8.32  | 7.80  |
| 96.0                 | 58.50                    | 39.00 | 29.25 | 23.40 | 19.50 | 16.71 | 14.63 | 13.00 | 11.70 | 10.64 | 9.75  | 9.00  | 8.36  | 7.80  | 7.31  |
| 102.0                | 55.06                    | 36.71 | 27.53 | 22.02 | 18.35 | 15.73 | 13.76 | 12.24 | 11.01 | 10.01 | 9.18  | 8.47  | 7.87  | 7.34  | 6.88  |
| 108.0                | 50.25                    | 33.50 | 25.13 | 20.10 | 16.75 | 14.36 | 12.56 | 11.17 | 10.05 | 9.14  | 8.38  | 7.73  | 7.18  | 6.70  | 6.28  |
| 114.0                | 42.73                    | 28.49 | 21.36 | 17.09 | 14.24 | 12.21 | 10.68 | 9.50  | 8.55  | 7.77  | 7.12  | 6.57  | 6.10  | 5.70  | 5.34  |
| 120.0                | 36.64                    | 24.42 | 18.32 | 14.65 | 12.21 | 10.47 | 9.16  | 8.14  | 7.33  | 6.66  | 6.11  | 5.64  | 5.23  | 4.88  | 4.58  |
| 126.0                | 31.65                    | 21.10 | 15.82 | 12.66 | 10.55 | 9.04  | 7.91  | 7.03  | 6.33  | 5.75  | 5.27  | 4.87  | 4.52  | 4.22  | 3.96  |
| 132.0                | 27.52                    | 18.35 | 13.76 | 11.01 | 9.17  | 7.86  | 6.88  | 6.12  | 5.50  | 5.00  | 4.59  | 4.23  | 3.93  | 3.67  | 3.44  |
| 138.0                | 24.09                    | 16.06 | 12.04 | 9.64  | 8.03  | 6.88  | 6.02  | 5.35  | 4.82  | 4.38  | 4.01  | 3.71  | 3.44  | 3.21  | 3.01  |
| 144.0                | 21.20                    | 14.13 | 10.60 | 8.48  | 7.07  | 6.06  | 5.30  | 4.71  | 4.24  | 3.85  | 3.53  | 3.26  | 3.03  | 2.83  | 2.65  |
| 150.0                | 18.76                    | 12.50 | 9.38  | 7.50  | 6.25  | 5.36  | 4.69  | 4.17  | 3.75  | 3.41  | 3.13  | 2.89  | 2.68  | 2.50  | 2.34  |
| 156.0                | 16.68                    | 11.12 | 8.34  | 6.67  | 5.56  | 4.76  | 4.17  | 3.71  | 3.34  | 3.03  | 2.78  | 2.57  | 2.38  | 2.22  | 2.08  |
| 162.0                | 14.89                    | 9.93  | 7.45  | 5.96  | 4.96  | 4.25  | 3.72  | 3.31  | 2.98  | 2.71  | 2.48  | 2.29  | 2.13  | 1.99  | 1.86  |
| 168.0                | 13.35                    | 8.90  | 6.68  | 5.34  | 4.45  | 3.81  | 3.34  | 2.97  | 2.67  | 2.43  | 2.23  | 2.05  | 1.91  | 1.78  | 1.67  |
| 174.0                | 12.02                    | 8.01  | 6.01  | 4.81  | 4.01  | 3.43  | 3.00  | 2.67  | 2.40  | 2.18  | 2.00  | 1.85  | 1.72  | 1.60  | 1.50  |
| 180.0                | 10.86                    | 7.24  | 5.43  | 4.34  | 3.62  | 3.10  | 2.71  | 2.41  | 2.17  | 1.97  | 1.81  | 1.67  | 1.55  | 1.45  | 1.36  |
| 186.0                | 9.84                     | 6.56  | 4.92  | 3.94  | 3.28  | 2.81  | 2.46  | 2.19  | 1.97  | 1.79  | 1.64  | 1.51  | 1.41  | 1.31  | 1.23  |
| 192.0                | 8.94                     | 5.96  | 4.47  | 3.58  | 2.98  | 2.56  | 2.24  | 1.99  | 1.79  | 1.63  | 1.49  | 1.38  | 1.28  | 1.19  | 1.12  |



**3/4" X 5 3/16"  
LVL MULLION PROFILE**

- NOTE:**
- 1) MULLION CHART APPLIES TO 3/4" X 5 3/16" LVL MULLION ASSEMBLIES, WHEN MULLED IN TWO-WAY CONFIGURATIONS.
  - 2) DESIGN PRESSURE VALUES ARE POSITIVE AND NEGATIVE IN PSF.
  - 3) MAXIMUM DEFLECTION HAS BEEN LIMITED TO L/175.
  - 4) DESIGN PRESSURE OF ASSEMBLY IS LIMITED TO THE LESSER DESIGN PRESSURE OF THE MULLION ASSEMBLY OR THE INDIVIDUAL UNIT OF INSTALLATION. ADJACENT E-SERIES WINDOWS OR DOORS SHALL BE UNDER SEPARATE FL APPROVAL.
  - 5) MULLION CHART APPLIES TO THE INSTALLATION CONDITIONS LISTED ON SHEET 10
  - 6) TRIBUTARY WIDTH = W = (A+B)/2
  - 7) WHEN WINDOWS ARE STACKED VERTICALLY, THE MANUFACTURER/INSTALLER SHALL ENSURE THAT THE WEIGHT OF UNITS ABOVE WILL NOT CAUSE DEFLECTIONS OR STRESSES WHICH WILL AFFECT OPERATION OR STRUCTURAL ADEQUACY OF UNITS BELOW.

$$\frac{A+B}{2} = W$$



100 FOURTH AVE NORTH  
BAYPORT, MN 55003-1096  
PH: (651) 264-5150 FX: (651) 264-5485

TITLE: E-SERIES SPECIALTY (AUXILIARY) FIXED WINDOW (NON-HVHZ) (NON-IMPACT)  
3/4" X 5 3/16" MULLION LOADS TABLE - TWO WAY

PREPARED BY:  
**BUILDING DROPS, INC.**  
398 E. DANIA BEACH BLVD., STE. 338  
DANIA BEACH, FL 33004  
PH: (954) 399-8478  
FAX: (954) 744-4738  
WEB: www.buildingdrops.com

| REMARKS                | BY | DATE    |
|------------------------|----|---------|
| 1/2" LVL MULL ADDITION | HR | 4.3.19  |
| ADDED MULL & DP CHARTS | LL | 7.15.19 |
|                        |    |         |

THE INSTALLATION DETAILS DESCRIBED HEREIN ARE GENERIC AND MAY NOT REFLECT ACTUAL CONDITIONS FOR A SPECIFIC SITE. IF SITE CONDITIONS CAUSE INSTALLATION TO DEVIATE FROM THE REQUIREMENTS DETAILED HEREIN, A LICENSED ENGINEER OR ARCHITECT SHALL PREPARE SITE SPECIFIC DOCUMENTS FOR USE WITH THIS DOCUMENT.



HERMES F. NORERO, P.E.  
FLORIDA P.E. No. 73778  
BUILDING DROPS, INC.  
398 E. DANIA BEACH BLVD. # 338  
DANIA BEACH, FL 33004  
FBPE CERT. OF AUTHORIZATION No. 29578

FL #:  
**FL24230**

DATE: **10.12.17**

DWG. BY: **AG**      CHK. BY: **HFN**

SCALE: **NTS**

DWG. #: **AWD208**

SHEET:













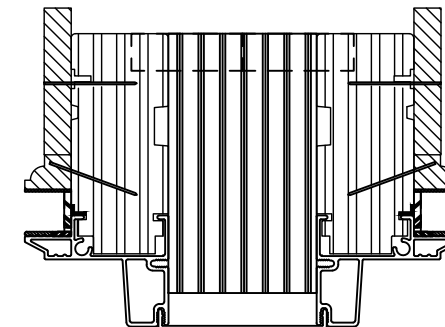




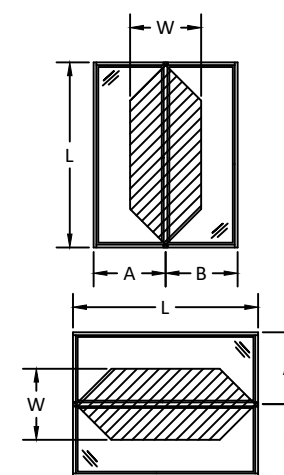


**MAXIMUM DESIGN PRESSURE CAPACITY CHART (PSF)  
2" X 3-1/2" STRUCTURAL MULLION (ONE-WAY) CONFIGURATION**

| L - Mull Length (in) | W - Tributary Width (in) |       |       |       |       |       |       |       |       |       |       |       |       |       |       |
|----------------------|--------------------------|-------|-------|-------|-------|-------|-------|-------|-------|-------|-------|-------|-------|-------|-------|
|                      | 24.0                     | 36.0  | 48.0  | 60.0  | 72.0  | 84.0  | 96.0  | 108.0 | 120.0 | 132.0 | 144.0 | 156.0 | 168.0 | 180.0 | 192.0 |
| 24.0                 | 75.00                    | 75.00 | 75.00 | 75.00 | 75.00 | 75.00 | 75.00 | 75.00 | 75.00 | 75.00 | 75.00 | 75.00 | 75.00 | 75.00 | 75.00 |
| 30.0                 | 75.00                    | 75.00 | 75.00 | 75.00 | 75.00 | 75.00 | 75.00 | 75.00 | 75.00 | 75.00 | 75.00 | 75.00 | 75.00 | 75.00 | 75.00 |
| 36.0                 | 75.00                    | 75.00 | 75.00 | 75.00 | 75.00 | 75.00 | 75.00 | 75.00 | 75.00 | 75.00 | 75.00 | 75.00 | 75.00 | 75.00 | 75.00 |
| 42.0                 | 75.00                    | 75.00 | 75.00 | 75.00 | 75.00 | 75.00 | 75.00 | 75.00 | 75.00 | 75.00 | 75.00 | 75.00 | 75.00 | 75.00 | 75.00 |
| 48.0                 | 75.00                    | 75.00 | 75.00 | 75.00 | 75.00 | 75.00 | 75.00 | 75.00 | 75.00 | 75.00 | 75.00 | 75.00 | 75.00 | 75.00 | 75.00 |
| 54.0                 | 75.00                    | 75.00 | 75.00 | 75.00 | 75.00 | 75.00 | 75.00 | 75.00 | 75.00 | 75.00 | 75.00 | 75.00 | 75.00 | 75.00 | 75.00 |
| 60.0                 | 75.00                    | 75.00 | 75.00 | 74.88 | 74.88 | 74.88 | 74.88 | 74.88 | 74.88 | 74.88 | 74.88 | 74.88 | 74.88 | 74.88 | 74.88 |
| 66.0                 | 75.00                    | 75.00 | 66.86 | 62.40 | 61.88 | 61.88 | 61.88 | 61.88 | 61.88 | 61.88 | 61.88 | 61.88 | 61.88 | 61.88 | 61.88 |
| 72.0                 | 75.00                    | 69.33 | 58.50 | 53.49 | 52.00 | 52.00 | 52.00 | 52.00 | 52.00 | 52.00 | 52.00 | 52.00 | 52.00 | 52.00 | 52.00 |
| 78.0                 | 75.00                    | 62.40 | 52.00 | 46.80 | 44.57 | 44.31 | 44.31 | 44.31 | 44.31 | 44.31 | 44.31 | 44.31 | 44.31 | 44.31 | 44.31 |
| 84.0                 | 75.00                    | 56.73 | 46.80 | 41.60 | 39.00 | 38.20 | 38.20 | 38.20 | 38.20 | 38.20 | 38.20 | 38.20 | 38.20 | 38.20 | 38.20 |
| 90.0                 | 72.00                    | 52.00 | 42.55 | 37.03 | 33.71 | 32.25 | 32.04 | 32.04 | 32.04 | 32.04 | 32.04 | 32.04 | 32.04 | 32.04 | 32.04 |
| 96.0                 | 64.97                    | 44.75 | 35.11 | 29.81 | 26.81 | 25.26 | 24.75 | 24.75 | 24.75 | 24.75 | 24.75 | 24.75 | 24.75 | 24.75 | 24.75 |
| 102.0                | 54.00                    | 37.06 | 28.93 | 24.38 | 21.71 | 20.21 | 19.52 | 19.42 | 19.42 | 19.42 | 19.42 | 19.42 | 19.42 | 19.42 | 19.42 |
| 108.0                | 45.38                    | 31.05 | 24.13 | 20.22 | 17.86 | 16.45 | 15.70 | 15.45 | 15.45 | 15.45 | 15.45 | 15.45 | 15.45 | 15.45 | 15.45 |
| 114.0                | 38.50                    | 26.27 | 20.35 | 16.96 | 14.89 | 13.60 | 12.85 | 12.50 | 12.45 | 12.45 | 12.45 | 12.45 | 12.45 | 12.45 | 12.45 |
| 120.0                | 32.95                    | 22.43 | 17.32 | 14.38 | 12.55 | 11.39 | 10.67 | 10.27 | 10.14 | 10.14 | 10.14 | 10.14 | 10.14 | 10.14 | 10.14 |
| 126.0                | 28.42                    | 19.31 | 14.87 | 12.30 | 10.69 | 9.64  | 8.97  | 8.56  | 8.37  | 8.34  | 8.34  | 8.34  | 8.34  | 8.34  | 8.34  |
| 132.0                | 24.68                    | 16.75 | 12.86 | 10.61 | 9.18  | 8.24  | 7.62  | 7.22  | 7.00  | 6.92  | 6.92  | 6.92  | 6.92  | 6.92  | 6.92  |
| 138.0                | 21.58                    | 14.62 | 11.21 | 9.22  | 7.95  | 7.11  | 6.53  | 6.16  | 5.93  | 5.81  | 5.80  | 5.80  | 5.80  | 5.80  | 5.80  |
| 150.0                | 16.77                    | 11.33 | 8.66  | 7.09  | 6.09  | 5.40  | 4.92  | 4.59  | 4.37  | 4.23  | 4.16  | 4.15  | 4.15  | 4.15  | 4.15  |
| 156.0                | 14.89                    | 10.05 | 7.67  | 6.28  | 5.37  | 4.75  | 4.32  | 4.01  | 3.80  | 3.66  | 3.58  | 3.55  | 3.55  | 3.55  | 3.55  |
| 162.0                | 13.29                    | 8.96  | 6.83  | 5.58  | 4.77  | 4.21  | 3.81  | 3.53  | 3.33  | 3.19  | 3.10  | 3.06  | 3.05  | 3.05  | 3.05  |
| 168.0                | 11.91                    | 8.03  | 6.11  | 4.98  | 4.25  | 3.74  | 3.38  | 3.12  | 2.93  | 2.80  | 2.71  | 2.66  | 2.64  | 2.64  | 2.64  |
| 174.0                | 10.71                    | 7.21  | 5.49  | 4.47  | 3.81  | 3.35  | 3.02  | 2.77  | 2.60  | 2.47  | 2.38  | 2.33  | 2.30  | 2.29  | 2.29  |
| 180.0                | 9.67                     | 6.51  | 4.95  | 4.02  | 3.42  | 3.00  | 2.70  | 2.48  | 2.31  | 2.19  | 2.11  | 2.05  | 2.02  | 2.00  | 2.00  |
| 186.0                | 8.76                     | 5.89  | 4.47  | 3.64  | 3.09  | 2.71  | 2.43  | 2.23  | 2.07  | 1.96  | 1.87  | 1.82  | 1.78  | 1.76  | 1.76  |
| 192.0                | 7.96                     | 5.35  | 4.06  | 3.30  | 2.80  | 2.45  | 2.19  | 2.01  | 1.86  | 1.76  | 1.68  | 1.62  | 1.58  | 1.56  | 1.55  |



**2" X 3 1/2"  
LVL MULLION PROFILE**



$$\frac{A + B = W}{2}$$

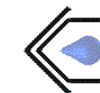
- NOTE:**
- 1) MULLION CHART APPLIES TO 2" X 3 1/2" LVL MULL ASSEMBLIES, WHEN MULLED IN ONE-WAY CONFIGURATIONS.
  - 2) DESIGN PRESSURE VALUES ARE POSITIVE AND NEGATIVE IN PSF.
  - 3) MAXIMUM DEFLECTION HAS BEEN LIMITED TO L/175.
  - 4) DESIGN PRESSURE OF ASSEMBLY IS LIMITED TO THE LESSER DESIGN PRESSURE OF THE MULLION ASSEMBLY OR THE INDIVIDUAL UNIT OF INSTALLATION. ADJACENT E-SERIES WINDOWS OR DOORS SHALL BE UNDER SEPARATE FL APPROVAL.
  - 5) MULLION CHART APPLIES TO THE INSTALLATION CONDITIONS LISTED ON SHEET 10
  - 6) TRIBUTARY WIDTH = W = (A+B)/2
  - 7) WHEN WINDOWS ARE STACKED VERTICALLY, THE MANUFACTURER/INSTALLER SHALL ENSURE THAT THE WEIGHT OF UNITS ABOVE WILL NOT CAUSE DEFLECTIONS OR STRESSES WHICH WILL AFFECT OPERATION OR STRUCTURAL ADEQUACY OF UNITS BELOW.



100 FOURTH AVE NORTH  
BAYPORT, MN 55003-1096  
PH: (651) 264-5150 FX: (651) 264-5485

TITLE: E-SERIES SPECIALTY (AUXILIARY) FIXED WINDOW (NON-HVHZ) (NON-IMPACT)  
2" X 3-1/2" MULLION LOADS TABLE - ONE WAY

PREPARED BY:  
**BUILDING DROPS, INC.**  
398 E. DANIA BEACH BLVD., STE. 338  
DANIA BEACH, FL 33004  
PH: (954) 399-8478  
FAX: (954) 744-4738  
WEB: www.buildingdrops.com



| REMARKS                | BY | DATE    |
|------------------------|----|---------|
| 1/2" LVL MULL ADDITION | HR | 4.3.19  |
| ADDED MULL & DP CHARTS | LL | 7.15.19 |
|                        |    |         |
|                        |    |         |

THE INSTALLATION DETAILS DESCRIBED HEREIN ARE GENERIC AND MAY NOT REFLECT ACTUAL CONDITIONS FOR A SPECIFIC SITE. IF SITE CONDITIONS CAUSE INSTALLATION TO DEVIATE FROM THE REQUIREMENTS DETAILED HEREIN, A LICENSED ENGINEER OR ARCHITECT SHALL PREPARE SITE SPECIFIC DOCUMENTS FOR USE WITH THIS DOCUMENT.

HERMES F. NORERO, P.E.  
FLORIDA P.E. No. 73778  
BUILDING DROPS, INC.  
398 E. DANIA BEACH BLVD. # 338  
DANIA BEACH, FL 33004  
FBPE CERT. OF AUTHORIZATION No. 29578

|          |                 |
|----------|-----------------|
| FL #:    | <b>FL24230</b>  |
| DATE:    | <b>10.12.17</b> |
| DWG. BY: | <b>AG</b>       |
| CHK. BY: | <b>HFN</b>      |
| SCALE:   | <b>NTS</b>      |
| DWG. #:  | <b>AWD208</b>   |

SHEET:  
**26**  
OF 29

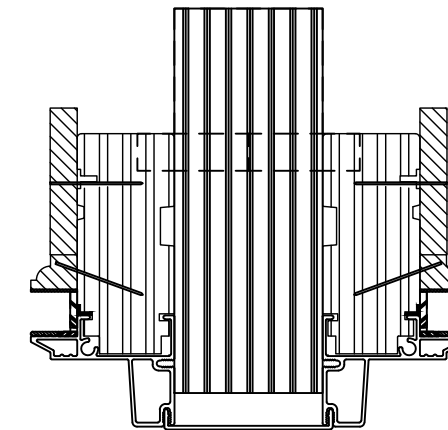




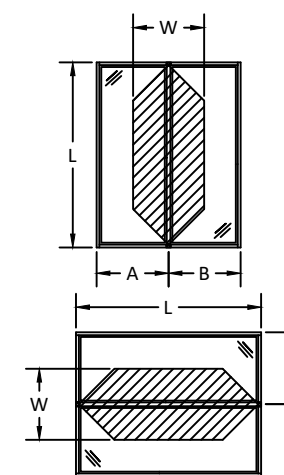


**MAXIMUM DESIGN PRESSURE CAPACITY CHART (PSF)  
2" X 5-3/16" STRUCTURAL MULLION (ONE-WAY) CONFIGURATION**

| L - Mull Length (in) | W - Tributary Width (in) |       |       |       |       |       |       |       |       |       |       |       |       |       |       |
|----------------------|--------------------------|-------|-------|-------|-------|-------|-------|-------|-------|-------|-------|-------|-------|-------|-------|
|                      | 24.0                     | 36.0  | 48.0  | 60.0  | 72.0  | 84.0  | 96.0  | 108.0 | 120.0 | 132.0 | 144.0 | 156.0 | 168.0 | 180.0 | 192.0 |
| 24.0                 | 75.00                    | 75.00 | 75.00 | 75.00 | 75.00 | 75.00 | 75.00 | 75.00 | 75.00 | 75.00 | 75.00 | 75.00 | 75.00 | 75.00 | 75.00 |
| 30.0                 | 75.00                    | 75.00 | 75.00 | 75.00 | 75.00 | 75.00 | 75.00 | 75.00 | 75.00 | 75.00 | 75.00 | 75.00 | 75.00 | 75.00 | 75.00 |
| 36.0                 | 75.00                    | 75.00 | 75.00 | 75.00 | 75.00 | 75.00 | 75.00 | 75.00 | 75.00 | 75.00 | 75.00 | 75.00 | 75.00 | 75.00 | 75.00 |
| 42.0                 | 75.00                    | 75.00 | 75.00 | 75.00 | 75.00 | 75.00 | 75.00 | 75.00 | 75.00 | 75.00 | 75.00 | 75.00 | 75.00 | 75.00 | 75.00 |
| 48.0                 | 75.00                    | 75.00 | 75.00 | 75.00 | 75.00 | 75.00 | 75.00 | 75.00 | 75.00 | 75.00 | 75.00 | 75.00 | 75.00 | 75.00 | 75.00 |
| 54.0                 | 75.00                    | 75.00 | 75.00 | 75.00 | 75.00 | 75.00 | 75.00 | 75.00 | 75.00 | 75.00 | 75.00 | 75.00 | 75.00 | 75.00 | 75.00 |
| 60.0                 | 75.00                    | 75.00 | 75.00 | 74.88 | 74.88 | 74.88 | 74.88 | 74.88 | 74.88 | 74.88 | 74.88 | 74.88 | 74.88 | 74.88 | 74.88 |
| 66.0                 | 75.00                    | 75.00 | 66.86 | 62.40 | 61.88 | 61.88 | 61.88 | 61.88 | 61.88 | 61.88 | 61.88 | 61.88 | 61.88 | 61.88 | 61.88 |
| 72.0                 | 75.00                    | 69.33 | 58.50 | 53.49 | 52.00 | 52.00 | 52.00 | 52.00 | 52.00 | 52.00 | 52.00 | 52.00 | 52.00 | 52.00 | 52.00 |
| 78.0                 | 75.00                    | 62.40 | 52.00 | 46.80 | 44.57 | 44.31 | 44.31 | 44.31 | 44.31 | 44.31 | 44.31 | 44.31 | 44.31 | 44.31 | 44.31 |
| 84.0                 | 75.00                    | 56.73 | 46.80 | 41.60 | 39.00 | 38.20 | 38.20 | 38.20 | 38.20 | 38.20 | 38.20 | 38.20 | 38.20 | 38.20 | 38.20 |
| 90.0                 | 72.00                    | 52.00 | 42.55 | 37.44 | 34.67 | 33.43 | 33.28 | 33.28 | 33.28 | 33.28 | 33.28 | 33.28 | 33.28 | 33.28 | 33.28 |
| 96.0                 | 66.86                    | 48.00 | 39.00 | 34.04 | 31.20 | 29.71 | 29.25 | 29.25 | 29.25 | 29.25 | 29.25 | 29.25 | 29.25 | 29.25 | 29.25 |
| 102.0                | 62.40                    | 44.57 | 36.00 | 31.20 | 28.36 | 26.74 | 26.00 | 25.91 | 25.91 | 25.91 | 25.91 | 25.91 | 25.91 | 25.91 | 25.91 |
| 108.0                | 58.50                    | 41.60 | 33.43 | 28.80 | 26.00 | 24.31 | 23.40 | 23.11 | 23.11 | 23.11 | 23.11 | 23.11 | 23.11 | 23.11 | 23.11 |
| 114.0                | 55.06                    | 39.00 | 31.20 | 26.74 | 24.00 | 22.29 | 21.27 | 20.80 | 20.74 | 20.74 | 20.74 | 20.74 | 20.74 | 20.74 | 20.74 |
| 120.0                | 52.00                    | 36.71 | 29.25 | 24.96 | 22.29 | 20.57 | 19.50 | 18.91 | 18.72 | 18.72 | 18.72 | 18.72 | 18.72 | 18.72 | 18.72 |
| 126.0                | 49.26                    | 34.67 | 27.53 | 23.40 | 20.80 | 19.10 | 18.00 | 17.33 | 17.02 | 16.98 | 16.98 | 16.98 | 16.98 | 16.98 | 16.98 |
| 132.0                | 46.80                    | 32.84 | 26.00 | 22.02 | 19.50 | 17.83 | 16.71 | 16.00 | 15.60 | 15.47 | 15.47 | 15.47 | 15.47 | 15.47 | 15.47 |
| 138.0                | 44.57                    | 31.20 | 24.63 | 20.80 | 18.35 | 16.71 | 15.44 | 14.54 | 14.00 | 13.74 | 13.70 | 13.70 | 13.70 | 13.70 | 13.70 |
| 150.0                | 39.62                    | 26.77 | 20.46 | 16.76 | 14.38 | 12.76 | 11.64 | 10.85 | 10.32 | 10.00 | 9.84  | 9.81  | 9.81  | 9.81  | 9.81  |
| 156.0                | 35.19                    | 23.76 | 18.13 | 14.83 | 12.69 | 11.23 | 10.21 | 9.48  | 8.98  | 8.64  | 8.46  | 8.39  | 8.39  | 8.39  | 8.39  |
| 162.0                | 31.40                    | 21.18 | 16.14 | 13.18 | 11.26 | 9.94  | 9.01  | 8.34  | 7.86  | 7.53  | 7.33  | 7.23  | 7.21  | 7.21  | 7.21  |
| 168.0                | 28.14                    | 18.96 | 14.44 | 11.77 | 10.04 | 8.85  | 7.99  | 7.37  | 6.93  | 6.61  | 6.40  | 6.28  | 6.24  | 6.24  | 6.24  |
| 174.0                | 25.31                    | 17.05 | 12.97 | 10.56 | 8.99  | 7.91  | 7.13  | 6.56  | 6.14  | 5.84  | 5.63  | 5.50  | 5.43  | 5.42  | 5.42  |
| 180.0                | 22.85                    | 15.38 | 11.69 | 9.51  | 8.08  | 7.10  | 6.38  | 5.86  | 5.47  | 5.18  | 4.98  | 4.84  | 4.76  | 4.73  | 4.73  |
| 186.0                | 20.70                    | 13.92 | 10.57 | 8.59  | 7.30  | 6.39  | 5.74  | 5.26  | 4.90  | 4.63  | 4.43  | 4.29  | 4.20  | 4.16  | 4.15  |
| 192.0                | 18.81                    | 12.65 | 9.60  | 7.79  | 6.61  | 5.78  | 5.18  | 4.74  | 4.40  | 4.15  | 3.96  | 3.82  | 3.73  | 3.68  | 3.66  |



**2" X 5 3/16"  
LVL MULLION PROFILE**



$$\frac{A + B = W}{2}$$

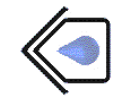
- NOTE:**
- 1) MULLION CHART APPLIES TO 2" X 5 3/16" LVL MULL ASSEMBLIES, WHEN MULLED IN ONE-WAY CONFIGURATIONS.
  - 2) DESIGN PRESSURE VALUES ARE POSITIVE AND NEGATIVE IN PSF.
  - 3) MAXIMUM DEFLECTION HAS BEEN LIMITED TO L/175.
  - 4) DESIGN PRESSURE OF ASSEMBLY IS LIMITED TO THE LESSER DESIGN PRESSURE OF THE MULLION ASSEMBLY OR THE INDIVIDUAL UNIT OF INSTALLATION. ADJACENT E-SERIES WINDOWS OR DOORS SHALL BE UNDER SEPARATE FL APPROVAL.
  - 5) MULLION CHART APPLIES TO THE INSTALLATION CONDITIONS LISTED ON SHEET 10
  - 6) TRIBUTARY WIDTH = W = (A+B)/2
  - 7) WHEN WINDOWS ARE STACKED VERTICALLY, THE MANUFACTURER/INSTALLER SHALL ENSURE THAT THE WEIGHT OF UNITS ABOVE WILL NOT CAUSE DEFLECTIONS OR STRESSES WHICH WILL AFFECT OPERATION OR STRUCTURAL ADEQUACY OF UNITS BELOW.



100 FOURTH AVE NORTH  
BAYPORT, MN 55003-1096  
PH: (651) 264-5150 FX: (651) 264-5485

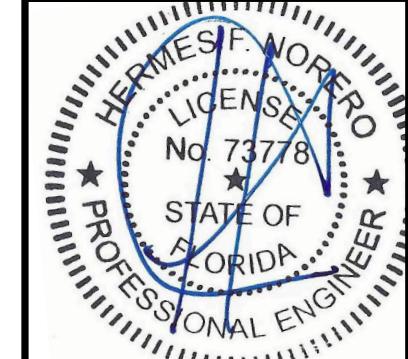
TITLE: E-SERIES SPECIALTY (AUXILIARY) FIXED WINDOW (NON-HVHZ) (NON-IMPACT)  
2" X 5 3/16" MULLION LOADS TABLE - ONE WAY

PREPARED BY:  
**BUILDING DROPS, INC.**  
398 E. DANIA BEACH BLVD., STE. 338  
DANIA BEACH, FL 33004  
PH: (954) 399-8478  
FAX: (954) 744-4738  
WEB: www.buildingdrops.com



| REMARKS                | BY | DATE    |
|------------------------|----|---------|
| 1/2" LVL MULL ADDITION | HR | 4.3.19  |
| ADDED MULL & DP CHARTS | LL | 7.15.19 |
|                        |    |         |
|                        |    |         |

THE INSTALLATION DETAILS DESCRIBED HEREIN ARE GENERIC AND MAY NOT REFLECT ACTUAL CONDITIONS FOR A SPECIFIC SITE. IF SITE CONDITIONS CAUSE INSTALLATION TO DEVIATE FROM THE REQUIREMENTS DETAILED HEREIN, A LICENSED ENGINEER OR ARCHITECT SHALL PREPARE SITE SPECIFIC DOCUMENTS FOR USE WITH THIS DOCUMENT.



HERMES F. NORERO, P.E.  
FLORIDA P.E. No. 73778  
BUILDING DROPS, INC.  
398 E. DANIA BEACH BLVD. # 338  
DANIA BEACH, FL 33004  
FBPE CERT. OF AUTHORIZATION No. 29578

|          |                 |
|----------|-----------------|
| FL #:    | <b>FL24230</b>  |
| DATE:    | <b>10.12.17</b> |
| DWG. BY: | <b>AG</b>       |
| CHK. BY: | <b>HFN</b>      |
| SCALE:   | <b>NTS</b>      |
| DWG. #:  | <b>AWD208</b>   |
| SHEET:   | <b>28</b>       |



