

# ANDERSEN CORPORATION

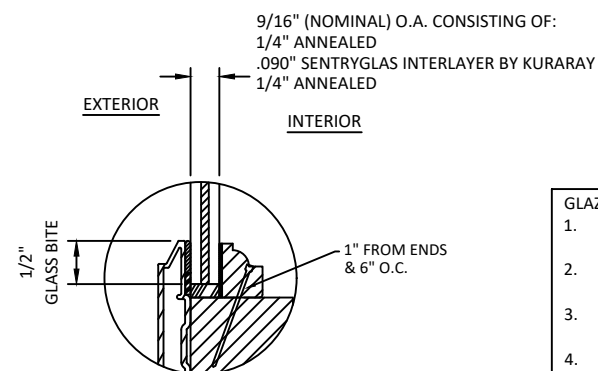
## E-SERIES FIXED CASEMENT WINDOW - DIRECT SET (1-PC FRAME) (HVHZ) (IMPACT)



100 FOURTH AVE NORTH  
BAYPORT, MN 55003-1096  
PH: (651) 264-5150 FX: (651) 264-5485

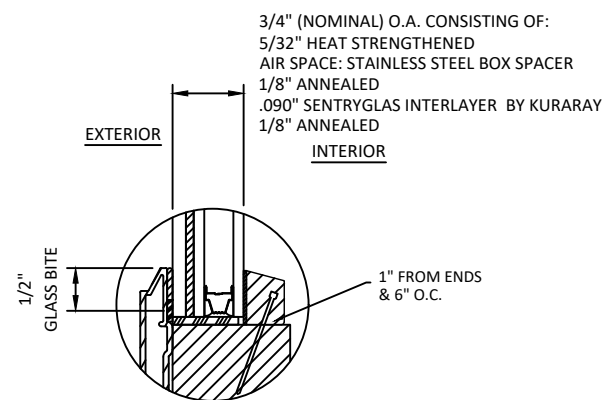
### GENERAL NOTES:

- THE PRODUCT SHOWN HEREIN IS DESIGNED AND MANUFACTURED TO COMPLY WITH THE CURRENT FLORIDA BUILDING CODE (FBC), **INCLUDING** HVHZ AND HAS BEEN EVALUATED ACCORDING TO THE FOLLOWING:
  - TAS 201-94
  - TAS 202-94
  - TAS 203-94
- ADEQUACY OF THE EXISTING STRUCTURAL CONCRETE/MASONRY, 2X AND METAL STUD FRAMING AS A MAIN WIND FORCE RESISTING SYSTEM CAPABLE OF WITHSTANDING AND TRANSFERRING APPLIED PRODUCT LOADS TO THE FOUNDATION IS THE RESPONSIBILITY OF THE ENGINEER OR ARCHITECT OF RECORD FOR THE PROJECT OF INSTALLATION.
- 1X AND 2X BUCKS (WHEN USED) SHALL BE DESIGNED AND ANCHORED TO PROPERLY TRANSFER ALL LOADS TO THE STRUCTURE. BUCK DESIGN AND INSTALLATION IS THE RESPONSIBILITY OF THE ENGINEER OR ARCHITECT OF RECORD FOR THE PROJECT OF INSTALLATION.
- THE INSTALLATION DETAILS DESCRIBED HEREIN ARE GENERIC AND MAY NOT REFLECT ACTUAL CONDITIONS FOR A SPECIFIC SITE. IF SITE CONDITIONS CAUSE INSTALLATION TO DEVIATE FROM THE REQUIREMENTS DETAILED HEREIN, A LICENSED ENGINEER OR ARCHITECT SHALL PREPARE SITE SPECIFIC DOCUMENTS FOR USE WITH THIS DOCUMENT.
- APPROVED IMPACT PROTECTIVE SYSTEM **IS NOT REQUIRED** TO PROTECT THIS PRODUCT IN AREAS REQUIRING IMPACT RESISTANCE.
- WINDOW FRAME MATERIAL: *ALUMINUM CLAD WOOD*.
- GLASS MEETS THE REQUIREMENTS OF ASTM E1300. SEE GLAZING DETAILS ON SHEET 1.
- DESIGNATIONS "X" AND "O" STAND FOR THE FOLLOWING:  
X: OPERABLE PANEL  
O: FIXED PANEL
- CUSTOM SIZES AVAILABLE UPON REQUEST. CUSTOM DESIGN PRESSURE WILL BE ASSIGNED EQUAL TO NEXT LARGER STANDARD SIZE.



**GLAZING DETAIL G1**  
SHOWN WITH COLONIAL GLASS STOP

- GLAZING NOTES:
- GLASS TYPE COMPLIES WITH ASTM E1300 REQUIREMENTS.
  - SETTING BLOCKS TO BE LOCATED AT 1/4 SPAN LENGTH FOR GLASS WIDER THAN 36" AS PER FBC CHAPTER 24.
  - SETTING BLOCK DUROMETER HARDNESS OF 70-90 (SHORE A) AS REFERENCED IN FBC CHAPTER 24.
  - GLASS TYPE SHALL COMPLY WITH APPLICABLE GLAZING REQUIREMENTS PER CHAPTER 24 OF THE FBC



**GLAZING DETAIL G2**  
SHOWN WITH CONTEMPORARY GLASS STOP

TABLE OF CONTENTS		
SHEET	REVISION	SHEET DESCRIPTION
1	B	GENERAL NOTES AND GLAZING DETAILS
2	B	ELEVATIONS AND QUALIFIED CONFIGURATIONS
3	B	ANCHOR LAYOUTS
4	B	VERTICAL SECTIONS
5	B	HORIZONTAL SECTIONS
6	B	ANCHOR DETAILS

WINDOW TYPE	OVERALL FRAME SIZE		OVERALL D.L.O. DIMENSION		GLASS TYPE	DESIGN PRESSURE (PSF)	
	WIDTH (IN.)	HEIGHT (IN.)	WIDTH (IN.)	HEIGHT (IN.)		POS.	NEG.
FIXED	48.0	72.0	41.875	65.875	G2	+65	-75
FIXED	60.0	96.0	53.875	89.875	G1	+70	-80

TITLE: E-SERIES FIXED CASEMENT WINDOW - DIRECT SET (1-PC FRAME) (HVHZ)(IMPACT)

GENERAL NOTES AND GLAZING DETAILS

PREPARED BY: BUILDING DROPS, INC.  
398 E. DANIA BEACH BLVD., STE. 338  
DANIA BEACH, FL 33004  
PH: (954) 399-8478  
FAX: (954) 744-4738  
WEB: www.buildingdrops.com

REMARKS	BY	DATE
6TH FBC CODE CHANGE	RV	10/17
FORMAT UPDATE	LL	8/16

THE INSTALLATION DETAILS DESCRIBED HEREIN ARE GENERIC AND MAY NOT REFLECT ACTUAL CONDITIONS FOR A SPECIFIC SITE. IF SITE CONDITIONS CAUSE INSTALLATION TO DEVIATE FROM THE REQUIREMENTS DETAILED HEREIN, A LICENSED ENGINEER OR ARCHITECT SHALL PREPARE SITE SPECIFIC DOCUMENTS FOR USE WITH THIS DOCUMENT.

HERMES F. NORERO, P.E.  
FLORIDA P.E. No. 73778  
BUILDING DROPS, INC.  
398 E. DANIA BEACH BLVD. # 338  
DANIA BEACH, FL 33004  
FBPE CERT. OF AUTHORIZATION No. 29578

FL #: **FL24230**

DATE: **10.12.17**

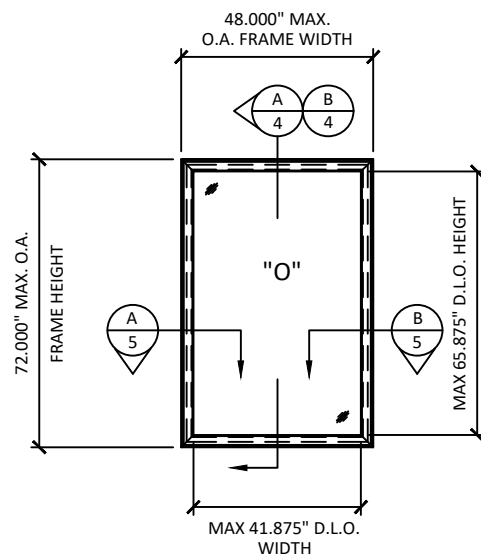
DWG. BY: **RV**      CHK. BY: **HFN**

SCALE: **NTS**

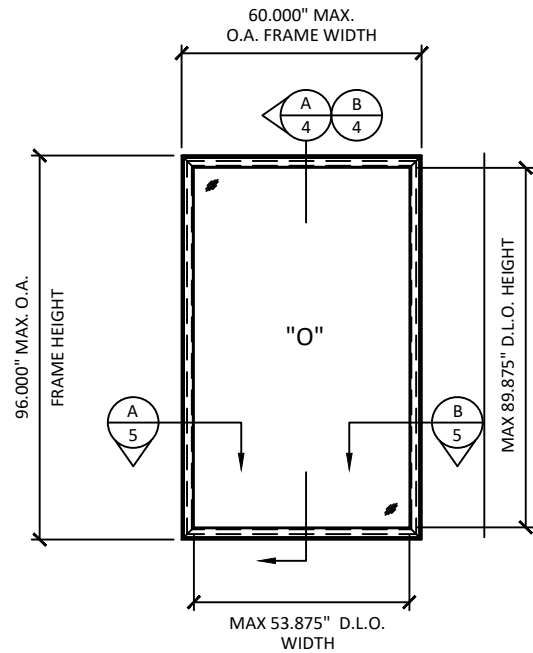
DWG. #: **AWD212**

SHEET: **1** OF 6

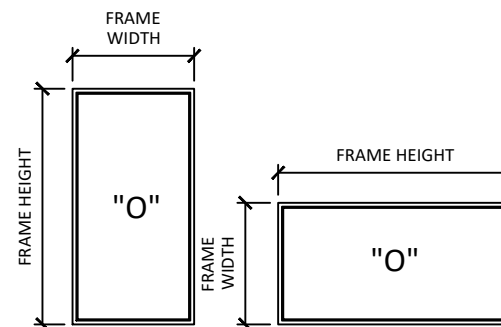
8/16/2019 3:09 PM



**ELEVATION**  
SINGLE UNIT



**ELEVATION**  
SINGLE UNIT



**NOTE:**  
WINDOW WIDTH AND HEIGHT ARE INTERCHANGEABLE FOR ALL SIZES SHOWN HEREIN NOT TO EXCEED MAXIMUM QUALIFIED SQUARE FOOT AREA.



100 FOURTH AVE NORTH  
BAYPORT, MN 55003-1096  
PH: (651) 264-5150 FX: (651) 264-5485

**TITLE:**  
E-SERIES FIXED CASEMENT WINDOW - DIRECT SET (1-PC FRAME) (HVHZ)/(IMPACT) ELEVATIONS AND QUALIFIED CONFIGURATIONS

**PREPARED BY:**  
BUILDING DROPS, INC.  
398 E. DANIA BEACH BLVD., STE. 338  
DANIA BEACH, FL 33004  
PH: (954) 399-8478  
FAX: (954) 744-4738  
WEB: www.buildingdrops.com



REMARKS	BY	DATE
6TH FBC CODE CHANGE	RV	10/17
FORMAT UPDATE	LL	8/16

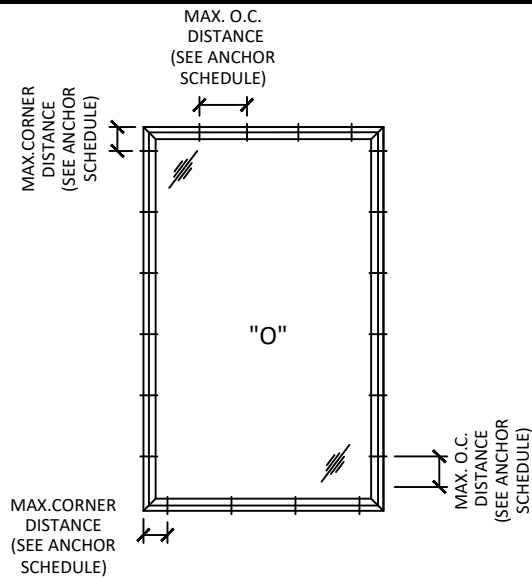
THE INSTALLATION DETAILS DESCRIBED HEREIN ARE GENERIC AND MAY NOT REFLECT ACTUAL CONDITIONS FOR A SPECIFIC SITE. IF SITE CONDITIONS CAUSE INSTALLATION TO DEVIATE FROM THE REQUIREMENTS DETAILED HEREIN, A LICENSED ENGINEER OR ARCHITECT SHALL PREPARE SITE SPECIFIC DOCUMENTS FOR USE WITH THIS DOCUMENT.

HERMES F. NORERO, P.E.  
FLORIDA P.E. No. 73778  
BUILDING DROPS, INC  
398 E. DANIA BEACH BLVD. # 338  
DANIA BEACH, FL 33004  
FBPE CERT. OF AUTHORIZATION No. 29578

FL #:	<b>FL24230</b>
DATE:	<b>10.12.17</b>
DWG. BY:	<b>RV</b>
CHK. BY:	<b>HFN</b>
SCALE:	<b>NTS</b>
DWG. #:	<b>AWD212</b>

SHEET:  
**2**  
OF 6

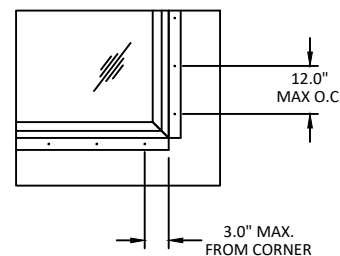
s:\projects\andersen windows\lbc-19-0548-2 - fbc submittal - e-series mullion revisions\dwgs\174230.4 & 5\awd212 - fl15440-series 13 casement fixed-impact-(hvhz).dwg



**STRAP/FASTENER THROUGH FRAME ANCHORING**  
**RETANGULAR/SQUARE SINGLE UNIT**

**NOTE:**

VINYL NAILING FLANGE INSTALLATIONS ARE LIMITED TO INDIVIDUAL UNITS OR ASSEMBLIES EQUAL TO OR LESS THAN DP +50/-50 AND EQUAL TO OR LESS THAN 30 SQUARE FEET.



**ALUMINUM FIN ANCHORING**  
**SINGLE UNIT**

**NOTE:**

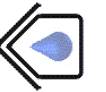
FOR MORE ANCHOR INFORMATION (INSTALLATION TYPE, SPACING, QUANTITY, ANCHOR TYPE, QUALIFIED SUBSTRATES, SEE SHEET 6



100 FOURTH AVE NORTH  
 BAYPORT, MN 55003-1096  
 PH: (651) 264-5150 FX: (651) 264-5485

TITLE:  
 E-SERIES FIXED CASEMENT WINDOW - DIRECT SET (1-PC FRAME) (HVHZ)/(IMPACT) ANCHOR LAYOUTS

PREPARED BY:  
 BUILDING DROPS, INC.  
 398 E. DANIA BEACH BLVD., STE. 338  
 DANIA BEACH, FL 33004  
 PH: (954) 399-8478  
 FAX: (954) 744-4738  
 WEB: www.buildingdrops.com



REMARKS	BY	DATE
6TH FBC CODE CHANGE	RV	10/17
FORMAT UPDATE	LL	8/16

THE INSTALLATION DETAILS DESCRIBED HEREIN ARE GENERIC AND MAY NOT REFLECT ACTUAL CONDITIONS FOR A SPECIFIC SITE. IF SITE CONDITIONS CAUSE INSTALLATION TO DEVIATE FROM THE REQUIREMENTS DETAILED HEREIN, A LICENSED ENGINEER OR ARCHITECT SHALL PREPARE SITE SPECIFIC DOCUMENTS FOR USE WITH THIS DOCUMENT.



HERMES F. NORERO, P.E.  
 FLORIDA P.E. No. 73778  
 BUILDING DROPS, INC  
 398 E. DANIA BEACH BLVD. # 338  
 DANIA BEACH, FL 33004  
 FBPE CERT. OF AUTHORIZATION No. 29578

FL #:  
**FL24230**

DATE: **10.12.17**

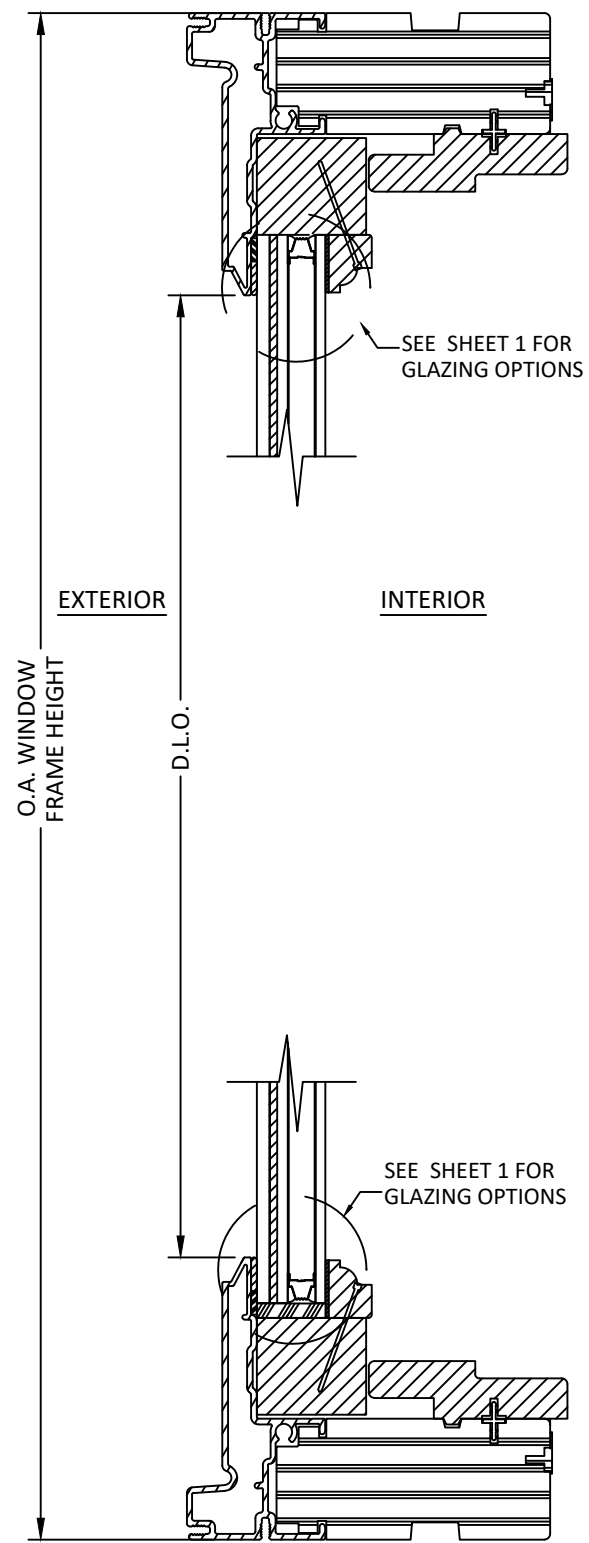
DWG. BY: **RV**      CHK. BY: **HFN**

SCALE: **NTS**

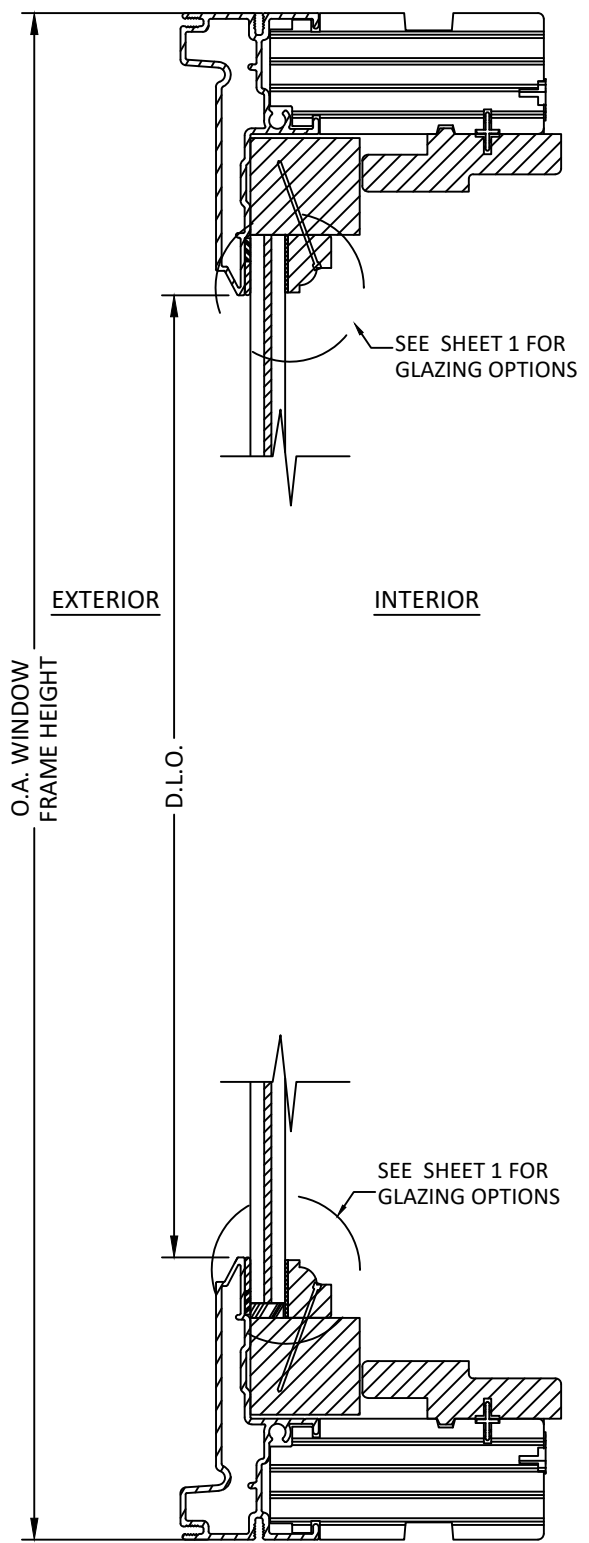
DWG. #: **AWD212**

SHEET:  
**3**  
 OF 6

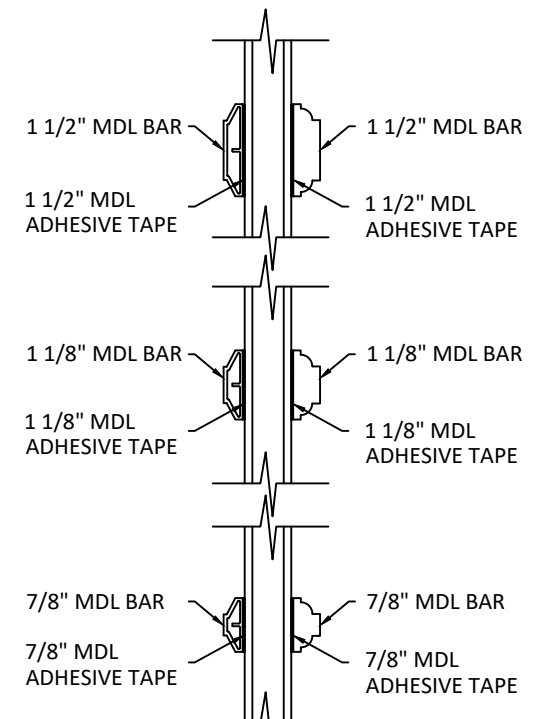
s:\projects\andersen windows\lbc-19-0548-2 - fbc submittal - e-series mullion revisions\dwgs\174230.4 & 5\awd212 - fl15440-series 13 casement, fixed-impact-(hwh).dwg



**A**  
**4** VERTICAL SECTION  
INSULATED GLASS



**B**  
**4** VERTICAL SECTION  
MONOLITHIC GLASS



OPTIONAL MUNTIN BAR  
ATTACHMENT TO GLASS



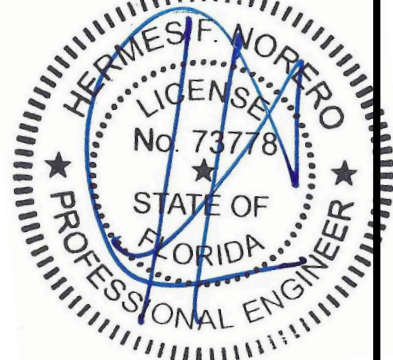
100 FOURTH AVE NORTH  
BAYPORT, MN 55003-1096  
PH: (651) 264-5150 FX: (651) 264-5485

TITLE:  
E-SERIES FIXED CASEMENT WINDOW - DIRECT  
SET (1-PC FRAME) (HVHZ)/(IMPACT)  
VERTICAL SECTIONS

PREPARED BY:  
  
BUILDING DROPS, INC.  
398 E. DANIA BEACH BLVD., STE. 338  
DANIA BEACH, FL 33004  
PH: (954) 399-8478  
FAX: (954) 744-4738  
WEB: www.buildingdrops.com

REMARKS	BY	DATE
6TH FBC CODE CHANGE	RV	10/17
FORMAT UPDATE	LL	8/16

THE INSTALLATION DETAILS DESCRIBED HEREIN ARE GENERIC AND MAY NOT REFLECT ACTUAL CONDITIONS FOR A SPECIFIC SITE. IF SITE CONDITIONS CAUSE INSTALLATION TO DEVIATE FROM THE REQUIREMENTS DETAILED HEREIN, A LICENSED ENGINEER OR ARCHITECT SHALL PREPARE SITE SPECIFIC DOCUMENTS FOR USE WITH THIS DOCUMENT.



HERMES F. NORERO, P.E.  
FLORIDA P.E. No. 73778  
BUILDING DROPS, INC  
398 E. DANIA BEACH BLVD. # 338  
DANIA BEACH, FL 33004  
FBPE CERT. OF AUTHORIZATION No. 29578

FL #:  
**FL24230**

DATE: **10.12.17**

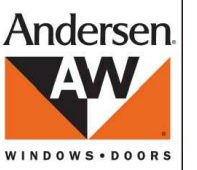
DWG. BY: **RV**      CHK. BY: **HFN**

SCALE: **NTS**

DWG. #: **AWD212**


SHEET:  
**4**

s:\projects\andersen windows\lbc-19-0548-2 - fbc submittal - e-series mullion revisions\lbc-19-0548-2 - fl15440-series 13 casement fixed-impact-(hwh).dwg 8/16/2019 3:09 PM



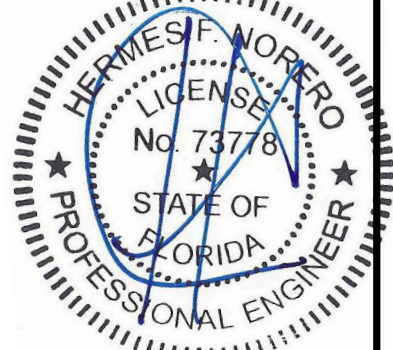
100 FOURTH AVE NORTH  
BAYPORT, MN 55003-1096  
PH: (651) 264-5150 FX: (651) 264-5485

TITLE:  
E-SERIES FIXED CASEMENT WINDOW - DIRECT  
SET (1-PC FRAME) (HVHZ) (IMPACT)  
HORIZONTAL SECTIONS

PREPARED BY:  
  
BUILDING DROPS, INC.  
398 E. DANIA BEACH BLVD., STE. 338  
DANIA BEACH, FL 33004  
PH: (954) 399-8478  
FAX: (954) 744-4738  
WEB: www.buildingdrops.com

REMARKS	BY	DATE
6TH FBC CODE CHANGE	RV	10/17
FORMAT UPDATE	LL	8/16

THE INSTALLATION DETAILS DESCRIBED HEREIN ARE GENERIC AND MAY NOT REFLECT ACTUAL CONDITIONS FOR A SPECIFIC SITE. IF SITE CONDITIONS CAUSE INSTALLATION TO DEVIATE FROM THE REQUIREMENTS DETAILED HEREIN, A LICENSED ENGINEER OR ARCHITECT SHALL PREPARE SITE SPECIFIC DOCUMENTS FOR USE WITH THIS DOCUMENT.



HERMES F. NORERO, P.E.  
FLORIDA P.E. No. 73778  
BUILDING DROPS, INC  
398 E. DANIA BEACH BLVD. # 338  
DANIA BEACH, FL 33004  
FBPE CERT. OF AUTHORIZATION No. 29578

FL #: **FL24230**

DATE: **10.12.17**

DWG. BY: **RV**      CHK. BY: **HFN**

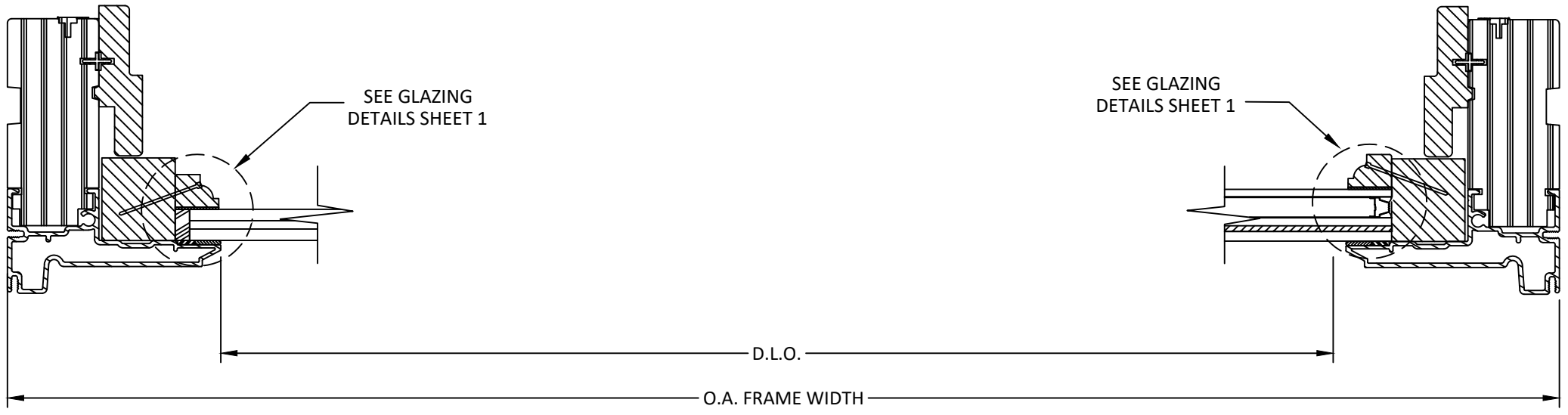
SCALE: **NTS**

DWG. #: **AWD212**

SHEET:  
**5**

OF 6

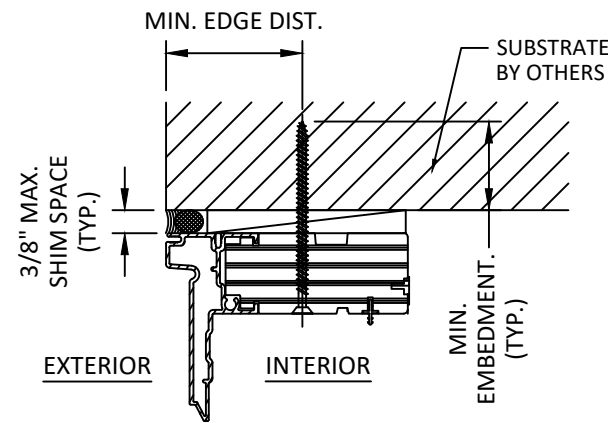
INTERIOR



EXTERIOR

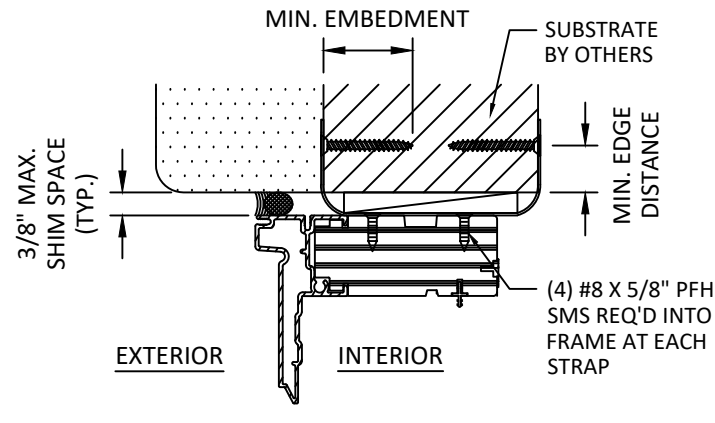
**A** HORIZONTAL SECTION  
**5** MONOLITHIC GLASS

**B** HORIZONTAL SECTION  
**5** INSULATED GLASS



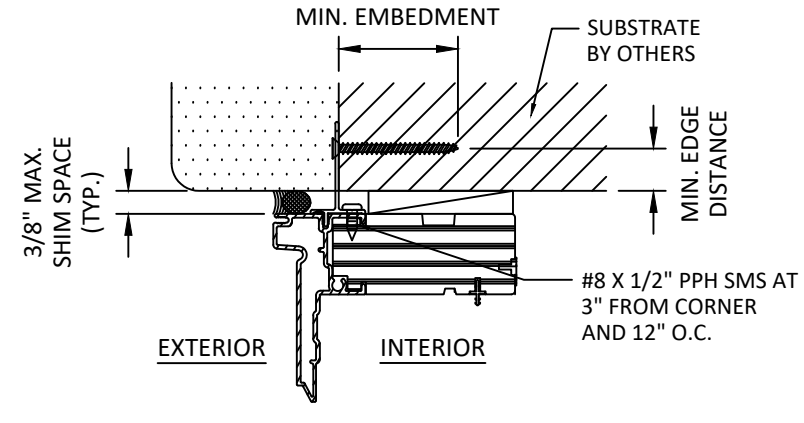
**A**  
**6** ANCHOR DETAIL  
THROUGH FRAME

SILL & JAMB HAVE A SIMILAR DETAIL.



**B**  
**6** ANCHOR DETAIL  
STRAP ANCHOR

SILL & JAMB HAVE A SIMILAR DETAIL.



**C**  
**6** ANCHOR DETAIL  
ALUM. NAIL FIN

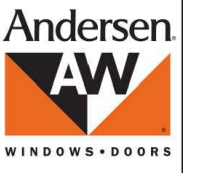
SILL & JAMB HAVE A SIMILAR DETAIL.

**INSTALLATION NOTES:**

- ONE (1) INSTALLATION ANCHOR IS REQUIRED AT EACH ANCHOR LOCATION SHOWN, UNLESS OTHERWISE STATED.
- THE NUMBER OF INSTALLATION ANCHORS DEPICTED IS THE MINIMUM NUMBER OF ANCHORS TO BE USED FOR PRODUCT INSTALLATION.
- INSTALL INDIVIDUAL INSTALLATION ANCHORS WITHIN A TOLERANCE OF ±1/2 INCH OF THE DEPICTED LOCATION IN THE ANCHOR LAYOUT DETAIL (I.E., WITHOUT CONSIDERATION OF TOLERANCES). TOLERANCES ARE NOT CUMULATIVE FROM ONE INSTALLATION ANCHOR TO THE NEXT.
- MINIMUM EMBEDMENT AND EDGE DISTANCE EXCLUDE WALL FINISHES, INCLUDING BUT NOT LIMITED TO STUCCO, FOAM, BRICK VENEER, AND SIDING.
- INSTALLATION ANCHORS AND ASSOCIATED HARDWARE MUST BE MADE OF CORROSION RESISTANT MATERIAL OR HAVE A CORROSION RESISTANT COATING.
- FOR HOLLOW BLOCK AND GROUT FILLED BLOCK, DO NOT INSTALL INSTALLATION ANCHORS INTO MORTAR JOINTS. EDGE DISTANCE IS MEASURED FROM FREE EDGE OF BLOCK OR EDGE OF MORTAR JOINT INTO FACE SHELL OF BLOCK.
- INSTALLATION ANCHORS SHALL BE INSTALLED IN ACCORDANCE WITH ANCHOR MANUFACTURER'S INSTALLATION INSTRUCTIONS, AND ANCHORS SHALL NOT BE USED IN SUBSTRATES WITH STRENGTHS LESS THAN THE MINIMUM STRENGTH SPECIFIED BY THE ANCHOR MANUFACTURER.

**ANCHOR SCHEDULE**

INSTALLATION TYPE	QTY PER LOCATION	SUBSTRATE	ANCHOR TYPE	EMBEDMENT (IN.)	EDGE DISTANCE (IN.)	MAX. HEAD/SILL O.C. DISTANCE (IN.)	MAX. JAMB O.C. DISTANCE (IN.)	MAX. CORNER DISTANCE (IN.)
STRAP	1	WOOD	#8 WOOD ANCHOR	1.50	0.75	16.0	18.0	6.0
	1	CONCRETE/MASONRY	3/16" ITW TAPCON	1.25	2.50			
	1	METAL STUD	#8 SELF-TAPPING SCREW	3 THREADS	0.75			
THRU FRAME	1	WOOD	#10 WOOD ANCHOR	1.50	0.75	16.0	18.0	6.0
	1	CONCRETE/MASONRY	3/16" ITW TAPCON	1.25	2.50			
	1	METAL STUD	#10 SELF-TAPPING SCREW	3 THREADS	0.75			
THRU ALUMINUM NAIL FIN	1	WOOD	11 GA. ROOFING NAIL	1.50	0.75	12.0	12.0	3.0
	1	WOOD	#8 WOOD ANCHOR	1.50	0.75			
	1	METAL STUD	#8 SELF-TAPPING SCREW	3 THREADS	0.75			



100 FOURTH AVE NORTH  
BAYPORT, MN 55003-1096  
PH: (651) 264-5150 FX: (651) 264-5485

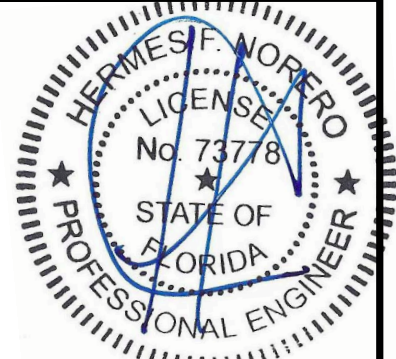
TITLE:  
E-SERIES FIXED CASEMENT WINDOW - DIRECT SET (1-PC FRAME) (HVHZ)/(IMPACT) ANCHOR DETAILS

PREPARED BY:  
**BUILDING DROPS, INC.**  
398 E. DANIA BEACH BLVD., STE. 338  
DANIA BEACH, FL 33004  
PH: (954) 395-8478  
FAX: (954) 744-4738  
WEB: www.buildingdrops.com



REMARKS	BY	DATE
6TH FBC CODE CHANGE	RV	10/17
FORMAT UPDATE	LL	8/16

THE INSTALLATION DETAILS DESCRIBED HEREIN ARE GENERIC AND MAY NOT REFLECT ACTUAL CONDITIONS FOR A SPECIFIC SITE. IF SITE CONDITIONS CAUSE INSTALLATION TO DEVIATE FROM THE REQUIREMENTS DETAILED HEREIN, A LICENSED ENGINEER OR ARCHITECT SHALL PREPARE SITE SPECIFIC DOCUMENTS FOR USE WITH THIS DOCUMENT.



HERMES F. NORERO, P.E.  
FLORIDA P.E. No. 73778  
BUILDING DROPS, INC.  
398 E. DANIA BEACH BLVD. # 338  
DANIA BEACH, FL 33004  
FBPE CERT. OF AUTHORIZATION No. 29578

FL #:  
**FL24230**

DATE: **10.12.17**

DWG. BY: **RV** | CHK. BY: **HFN**

SCALE: **NTS**

DWG. #: **AWD212**

SHEET:  
**6**