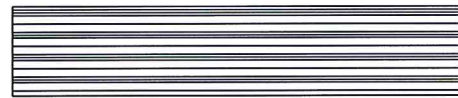


LVL WOOD MULLION



1" x 5" LVL WOOD MULLION

GENERAL NOTES:

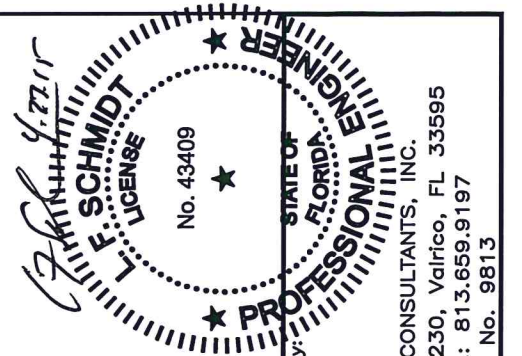
1. This product has been evaluated and is in compliance with the 5th Edition (2014) Florida Building Code (FBC) structural requirements excluding the "High Velocity Hurricane Zone".
2. When used in areas requiring wind borne debris protection this product complies with Section 1609.1.2 of the FBC and does not require an impact resistant covering. This product meets missile level "D" and excludes Wind Zone 4 as defined in ASTM E 1996 and Section 1609.1.2.2 of the FBC.
3. Wood bucks by others, must be anchored properly to transfer loads to the structure and be reviewed by the Building Official.
4. Mullion anchor embedment to base material shall be beyond wall dressing or stucco.
5. Separate product approvals for each glazing product used with these mullions must be submitted along with this mullion product approval.
6. Anchoring of each glazing product to the mullion shall be as shown in each individual glazing product approval.
7. Any conditions not covered in this evaluation are subject to separate Engineering evaluation.
8. Mullion design pressure rating, see load rating table sheets 2 - 4 of this drawing.
9. The design pressure rating of the assembly shall be the lesser of the load capacity of the mullion as determined using this approval or the design pressure rating of the individual glazing products used.

TABLE OF CONTENTS

SHEET #	DESCRIPTION
1	Typical Elevations & General Notes
2	Mullion Load Table: Anchor Clip B5 (Concrete Screws)
3	Mullion Load Table: Anchor Clip B5 (Wood Screws)
4	Mullion Load Table: Anchor Plate (Wood/Concrete Screws)
5	Anchor Clip B5: Anchoring Details
6	Mullion Anchor Plate: Anchoring Details



TYPICAL MULLION CONFIGURATIONS

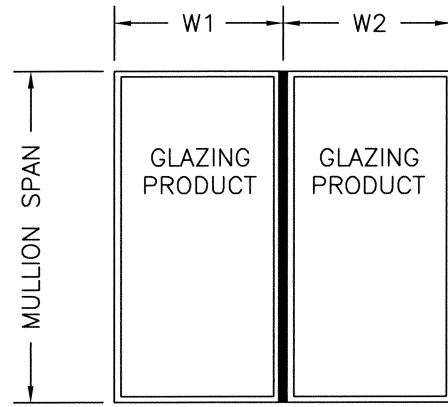


Documents Prepared By:
 Lyndon F. Schmidt
 P.E. No. 43409
 RW BUILDING CONSULTANTS, INC.
 P.O. Box 230, Vairico, FL 33595
 Phone No.: 813.659.9197
 FBPE C.A. No. 9813

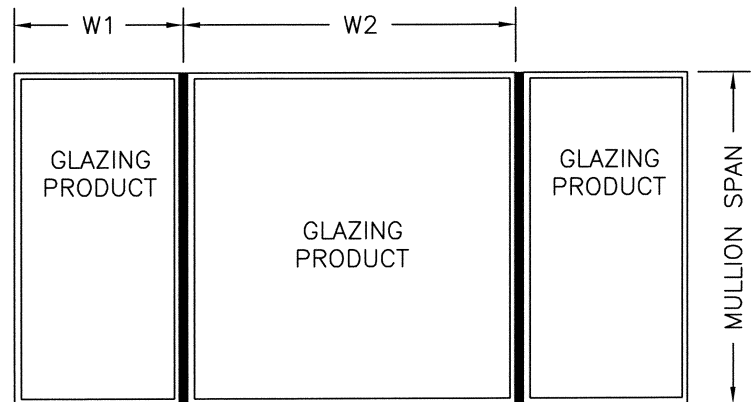
PRODUCT:	STRUCTURAL MULLION
PART OR ASSEMBLY:	TYPICAL ELEVATION & GENERAL NOTES

NO.	DATE	REVISIONS	BY
1	4/17/15	UPDATE TO 5TH ED. (2014) FBC	LFS

DATE:	02/28/12
SCALE:	NTS
DWG. BY:	EW
CHK. BY:	LFS
DRAWING NO.:	FL-15267.6
SHEET	1 OF 6



$$\text{TRIBUTARY WIDTH} = \frac{W1 + W2}{2}$$



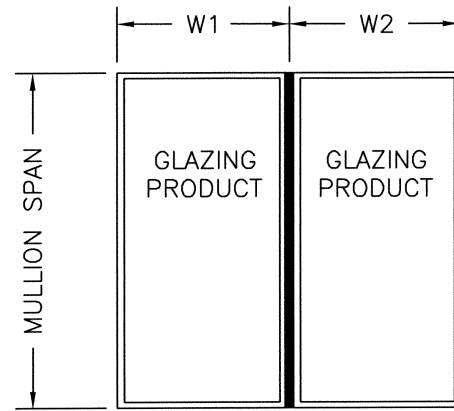
CONCRETE SCREW	1" x 5" LVL STRUCTURAL BEAM MULLION LOAD TABLE (PSF) - ANCHOR CLIP B5													
	TRIBUTARY WIDTH													
	24.0"	28.0"	30.0"	32.0"	34.0"	36.0"	38.0"	40.0"	42.0"	44.0"	46.0"	48.0"	50.0"	
120.0"	22.41	19.39	18.19	17.13	16.21	15.38	NA	NA	NA	NA	NA	NA	NA	
116.0"	24.85	21.52	20.19	19.02	17.99	17.08	16.26	15.53	NA	NA	NA	NA	NA	
112.0"	27.67	23.97	22.49	21.19	20.05	19.04	18.13	17.32	16.59	15.92	15.31	NA	NA	
108.0"	30.93	26.80	25.15	23.71	22.44	21.31	20.30	19.39	18.58	17.83	17.15	16.53	15.96	
104.0"	34.73	30.10	28.26	26.64	25.22	23.96	22.83	21.81	20.90	20.07	19.31	18.61	17.98	
100.0"	39.17	33.97	31.89	30.08	28.48	27.06	25.79	24.65	23.62	22.69	21.84	21.06	20.35	
96.0"	44.40	38.53	36.18	34.13	32.33	30.73	29.13	27.67	26.36	25.16	24.06	23.06	22.14	
92.0"	50.22	43.05	40.18	37.66	35.45	33.48	31.72	30.13	28.70	27.39	26.20	25.11	24.11	
88.0"	54.89	47.05	43.91	41.17	38.75	36.59	34.67	32.93	31.37	29.94	28.64	27.44	26.35	
84.0"	60.24	51.64	48.19	45.18	42.52	40.16	38.05	36.14	34.42	32.86	31.43	30.12	28.92	
80.0"	66.42	56.93	53.13	49.81	46.88	44.28	41.95	39.85	37.95	36.23	34.65	33.21	31.88	
76.0"	70.69	62.54	58.87	55.19	51.95	49.06	46.48	44.15	42.05	40.14	38.40	36.80	35.32	
72.0"	75.40	66.86	63.49	60.59	57.88	54.66	51.79	49.20	46.85	44.72	42.78	41.00	39.36	
68.0"	80.79	71.81	68.29	65.25	62.62	60.25	58.06	55.15	52.53	50.14	47.96	45.96	44.12	
64.0"	87.00	77.55	73.86	70.69	67.86	65.25	62.83	60.59	58.50	56.55	54.14	51.89	49.81	
60.0"	94.25	84.30	80.43	77.00	73.86	70.96	68.29	65.80	63.49	61.34	59.33	57.45	55.68	
56.0"	102.82	92.33	88.13	84.30	80.79	77.55	74.57	71.81	69.24	66.86	64.63	62.54	60.59	
52.0"	113.10	101.85	97.12	92.80	88.85	85.22	81.88	78.79	75.93	73.26	70.78	68.46	66.29	
48.0"	125.67	113.10	107.71	102.82	98.35	94.25	90.48	87.00	83.78	80.79	78.00	75.40	72.97	
44.0"	141.01	126.55	120.37	114.77	109.67	105.01	100.72	96.77	93.12	89.73	86.58	83.65	80.91	
40.0"	150.00	142.86	135.72	129.26	123.38	118.02	113.10	108.58	104.40	100.53	96.94	93.60	90.48	
36.0"	150.00	150.00	150.00	147.12	140.28	134.04	128.34	123.10	118.27	113.81	109.67	105.82	102.24	
32.0"	150.00	150.00	150.00	150.00	150.00	150.00	147.52	141.38	135.72	130.50	125.67	121.18	117.00	
28.0"	150.00	150.00	150.00	150.00	150.00	150.00	150.00	150.00	150.00	150.00	146.33	141.01	136.06	
24.0"	150.00	150.00	150.00	150.00	150.00	150.00	150.00	150.00	150.00	150.00	150.00	150.00	150.00	
20.0"	150.00	150.00	150.00	150.00	150.00	150.00	150.00	150.00	150.00	150.00	150.00	150.00	150.00	

INSTRUCTIONS FOR USE OF THE MULLION LOAD TABLE:

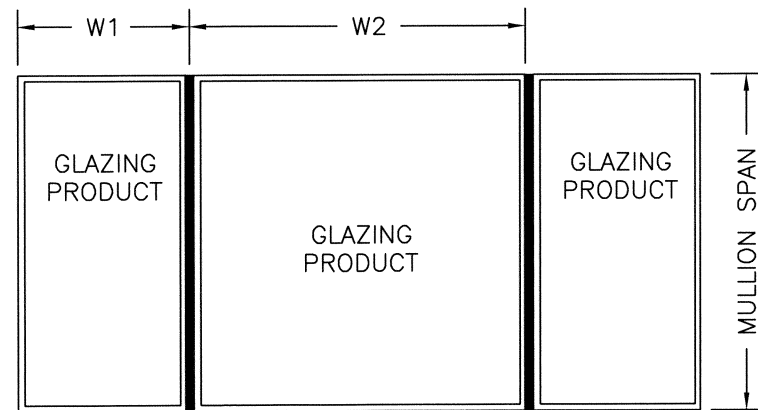
1. DETERMINE THE DESIGN LOAD REQUIREMENT PER CHAPTER 16 OF THE FBC FOR THE PARTICULAR OPENING.
2. FOR THE PARTICULAR OPENING, DETERMINE THE TRIBUTARY WIDTH AND MULLION SPAN. REFERENCE THE SKETCHES ON THIS SHEET FOR MULLION SPAN AND TRIBUTARY WIDTH DETERMINATION.
3. IN THE FIRST COLUMN OF THE TABLE, LOCATE THE MULLION SPAN. IN THE FIRST ROW OF THE TABLE, LOCATE THE TRIBUTARY WIDTH. AT THE INTERSECTION OF THE ROW CONTAINING THE MULLION SPAN AND THE COLUMN CONTAINING THE TRIBUTARY WIDTH, READ THE MULLION LOAD RATING GIVEN IN PSF. THE MULLION LOAD RATING MUST BE EQUAL TO OR GREATER THAN THE DESIGN LOAD REQUIREMENT DETERMINED IN STEP 1 ABOVE.

Documents Prepared By: **Lyndon F. Schmidt**
 P.E. No. 43409
 BUILDING CONSULTANTS, INC.
 P.O. Box 230, Valrico, FL 33595
 Phone No.: 813.659.9197
 FBPE C.A. No. 9813

PRODUCT:	STRUCTURAL MULLION
PART OR ASSEMBLY:	MULLION LOAD TABLE: ANCHOR CLIP B5 (CONCRETE SCREWS)
DATE:	02/28/12
SCALE:	NTS
DWG. BY:	EW
CHK. BY:	LFS
DRAWING NO.:	FL-15267.6
SHEET	2 OF 6



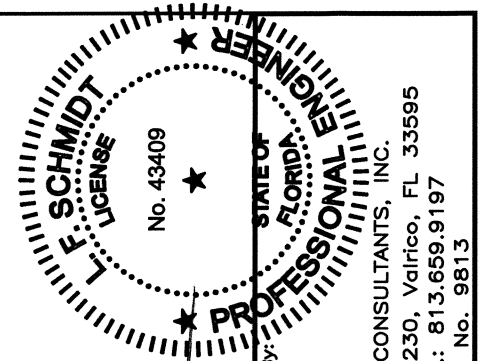
$$\text{TRIBUTARY WIDTH} = \frac{W1 + W2}{2}$$



WOOD SCREW	1" x 5" LVL STRUCTURAL BEAM MULLION LOAD TABLE (PSF) - ANCHOR CLIP B5													
	TRIBUTARY WIDTH													
	24.0"	28.0"	30.0"	32.0"	34.0"	36.0"	38.0"	40.0"	42.0"	44.0"	46.0"	48.0"	50.0"	
MULLION SPAN	120.0"	22.41	19.39	18.19	17.13	16.21	15.38	NA	NA	NA	NA	NA	NA	NA
	116.0"	24.85	21.52	20.19	19.02	17.99	17.08	16.26	15.53	NA	NA	NA	NA	NA
	112.0"	27.67	23.97	22.49	21.19	20.05	19.04	18.13	17.32	16.59	15.92	15.31	NA	NA
	108.0"	30.93	26.80	25.15	23.71	22.44	21.31	20.30	19.39	18.58	17.83	17.15	16.53	15.96
	104.0"	34.73	30.10	28.26	26.64	25.22	23.96	22.83	21.81	20.90	20.07	19.31	18.61	17.98
	100.0"	39.17	33.97	31.89	30.08	28.48	27.06	25.79	24.65	23.62	22.69	21.84	21.06	20.35
	96.0"	44.40	38.53	36.18	34.13	32.33	30.73	29.13	27.67	26.36	25.16	24.06	23.06	22.14
	92.0"	50.22	43.05	40.18	37.66	35.45	33.48	31.72	30.13	28.70	27.39	26.20	25.11	24.11
	88.0"	54.89	47.05	43.91	41.17	38.75	36.59	34.67	32.93	31.37	29.94	28.64	27.44	26.35
	84.0"	60.24	51.64	48.19	45.18	42.52	40.16	38.05	36.14	34.42	32.86	31.43	30.12	28.92
	80.0"	66.42	56.93	53.13	49.81	46.88	44.28	41.95	39.85	37.95	36.23	34.65	33.21	31.88
	76.0"	70.69	62.54	58.87	55.19	51.95	49.06	46.48	44.15	42.05	40.14	38.40	36.80	35.32
	72.0"	75.40	66.86	63.49	60.59	57.88	54.66	51.79	49.20	46.85	44.72	42.78	41.00	39.36
	68.0"	80.79	71.81	68.29	65.25	62.62	60.25	58.06	55.15	52.53	50.14	47.96	45.96	44.12
	64.0"	87.00	77.55	73.86	70.69	67.86	65.25	62.83	60.59	58.50	56.55	54.14	51.89	49.81
	60.0"	94.25	84.30	80.43	77.00	73.86	70.96	68.29	65.80	63.49	61.34	59.33	57.45	55.68
	56.0"	102.82	92.33	88.13	84.30	80.79	77.55	74.57	71.81	69.24	66.86	64.63	62.54	60.59
	52.0"	113.10	101.85	97.12	92.80	88.85	85.22	81.88	78.79	75.93	73.26	70.78	68.46	66.29
	48.0"	125.67	113.10	107.71	102.82	98.35	94.25	90.48	87.00	83.78	80.79	78.00	75.40	72.97
	44.0"	141.01	126.55	120.37	114.77	109.67	105.01	100.72	96.77	93.12	89.73	86.58	83.65	80.91
	40.0"	150.00	142.86	135.72	129.26	123.38	118.02	113.10	108.58	104.40	100.53	96.94	93.60	90.48
	36.0"	150.00	150.00	150.00	147.12	140.28	134.04	128.34	123.10	118.27	113.81	109.67	105.82	102.24
	32.0"	150.00	150.00	150.00	150.00	150.00	150.00	147.52	141.38	135.72	130.50	125.67	121.18	117.00
	28.0"	150.00	150.00	150.00	150.00	150.00	150.00	150.00	150.00	150.00	150.00	146.33	141.01	136.06
	24.0"	150.00	150.00	150.00	150.00	150.00	150.00	150.00	150.00	150.00	150.00	150.00	150.00	150.00
	20.0"	150.00	150.00	150.00	150.00	150.00	150.00	150.00	150.00	150.00	150.00	150.00	150.00	150.00

INSTRUCTIONS FOR USE OF THE MULLION LOAD TABLE:

1. DETERMINE THE DESIGN LOAD REQUIREMENT PER CHAPTER 16 OF THE FBC FOR THE PARTICULAR OPENING.
2. FOR THE PARTICULAR OPENING, DETERMINE THE TRIBUTARY WIDTH AND MULLION SPAN. REFERENCE THE SKETCHES ON THIS SHEET FOR MULLION SPAN AND TRIBUTARY WIDTH DETERMINATION.
3. IN THE FIRST COLUMN OF THE TABLE, LOCATE THE MULLION SPAN. IN THE FIRST ROW OF THE TABLE, LOCATE THE TRIBUTARY WIDTH. AT THE INTERSECTION OF THE ROW CONTAINING THE MULLION SPAN AND THE COLUMN CONTAINING THE TRIBUTARY WIDTH, READ THE MULLION LOAD RATING GIVEN IN PSF. THE MULLION LOAD RATING MUST BE EQUAL TO OR GREATER THAN THE DESIGN LOAD REQUIREMENT DETERMINED IN STEP 1 ABOVE.

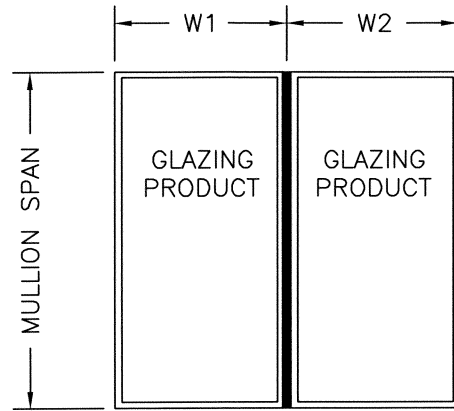


Documents Prepared By: Lyndon F. Schmidt
 P.E. No. 43409
 4.27.15
 BUILDING CONSULTANTS, INC.
 P.O. Box 230, Valrico, FL 33595
 Phone No.: 813.659.9197
 FBPE C.A. No. 9813

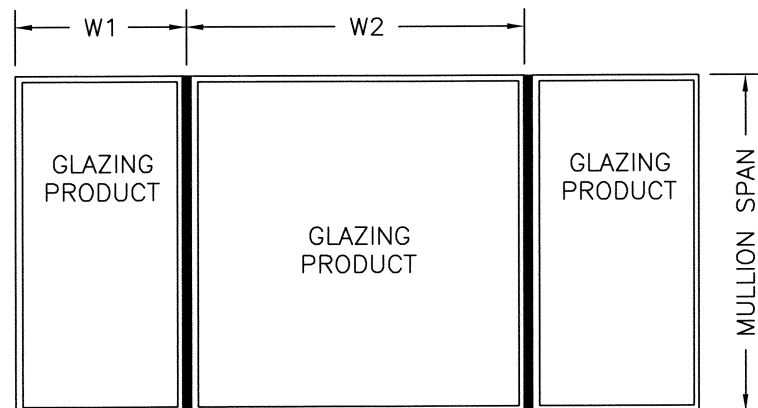
PRODUCT: STRUCTURAL MULLION
 PART OR ASSEMBLY: MULLION LOAD TABLE: ANCHOR CLIP B5 (WOOD SCREWS)

NO.	DATE	REVISIONS
1	4/17/15	UPDATE TO 5TH ED. (2014) FBC

DATE: 02/28/12
 SCALE: NTS
 DWG. BY: EW
 CHK. BY: LFS
 DRAWING NO.: FL-15267.6
 SHEET 3 OF 6



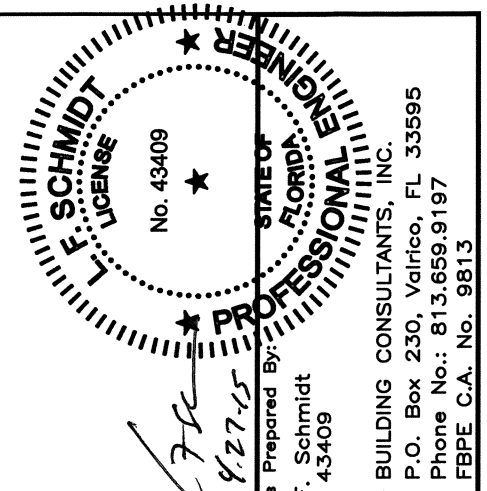
$$\text{TRIBUTARY WIDTH} = \frac{W1 + W2}{2}$$



WOOD OR CONCRETE SCREW	1" x 5" LVL STRUCTURAL BEAM MULLION LOAD TABLE (PSF) - ANCHOR PLATE													
	TRIBUTARY WIDTH													
	24.0"	28.0"	30.0"	32.0"	34.0"	36.0"	38.0"	40.0"	42.0"	44.0"	46.0"	48.0"	50.0"	
120.0"	22.41	19.39	18.19	17.13	16.21	15.38	NA	NA	NA	NA	NA	NA	NA	
116.0"	24.85	21.52	20.19	19.02	17.99	17.08	16.26	15.53	NA	NA	NA	NA	NA	
112.0"	27.67	23.97	22.49	21.19	20.05	19.04	18.13	17.32	16.59	15.92	15.31	NA	NA	
108.0"	30.93	26.80	25.15	23.71	22.44	21.31	20.30	19.39	18.58	17.83	17.15	16.53	15.96	
104.0"	34.73	30.10	28.26	26.64	25.22	23.96	22.83	21.81	20.90	20.07	19.31	18.61	17.98	
100.0"	39.17	33.97	31.89	30.08	28.48	27.06	25.79	24.65	23.62	22.69	21.84	21.06	20.35	
96.0"	44.40	38.53	36.18	34.13	32.33	30.73	29.13	27.67	26.36	25.16	24.06	23.06	22.14	
92.0"	50.22	43.05	40.18	37.66	35.45	33.48	31.72	30.13	28.70	27.39	26.20	25.11	24.11	
88.0"	54.89	47.05	43.91	41.17	38.75	36.59	34.67	32.93	31.37	29.94	28.64	27.44	26.35	
84.0"	60.24	51.64	48.19	45.18	42.52	40.16	38.05	36.14	34.42	32.86	31.43	30.12	28.92	
80.0"	66.42	56.93	53.13	49.81	46.88	44.28	41.95	39.85	37.95	36.23	34.65	33.21	31.88	
76.0"	73.59	63.08	58.87	55.19	51.95	49.06	46.48	44.15	42.05	40.14	38.40	36.80	35.32	
72.0"	81.99	70.28	65.60	61.50	57.88	54.66	51.79	49.20	46.85	44.72	42.78	41.00	39.36	
68.0"	91.92	78.79	73.54	68.94	64.89	61.28	58.06	55.15	52.53	50.14	47.96	45.96	44.12	
64.0"	103.77	88.95	83.02	77.83	73.25	69.18	65.54	62.26	59.30	56.60	54.14	51.89	49.81	
60.0"	118.07	101.21	94.46	88.55	83.35	78.72	74.57	70.84	67.47	64.40	61.60	59.04	56.67	
56.0"	135.54	116.18	108.43	101.66	95.68	90.36	85.61	81.33	77.45	73.93	70.72	67.77	65.06	
52.0"	150.00	134.74	125.76	117.90	110.96	104.80	99.28	94.32	89.83	85.74	82.02	78.60	75.45	
48.0"	150.00	150.00	147.59	138.37	130.23	122.99	116.52	110.69	105.42	100.63	96.25	92.24	88.55	
44.0"	150.00	150.00	150.00	150.00	150.00	146.37	138.67	131.73	125.46	119.76	114.55	109.78	105.39	
40.0"	150.00	150.00	150.00	150.00	150.00	150.00	150.00	150.00	150.00	144.91	138.61	132.83	127.52	
36.0"	150.00	150.00	150.00	150.00	150.00	150.00	150.00	150.00	150.00	150.00	150.00	150.00	150.00	
32.0"	150.00	150.00	150.00	150.00	150.00	150.00	150.00	150.00	150.00	150.00	150.00	150.00	150.00	
28.0"	150.00	150.00	150.00	150.00	150.00	150.00	150.00	150.00	150.00	150.00	150.00	150.00	150.00	
24.0"	150.00	150.00	150.00	150.00	150.00	150.00	150.00	150.00	150.00	150.00	150.00	150.00	150.00	
20.0"	150.00	150.00	150.00	150.00	150.00	150.00	150.00	150.00	150.00	150.00	150.00	150.00	150.00	

INSTRUCTIONS FOR USE OF THE MULLION LOAD TABLE:

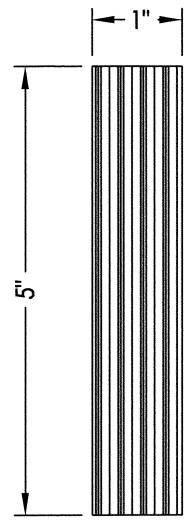
1. DETERMINE THE DESIGN LOAD REQUIREMENT PER CHAPTER 16 OF THE FBC FOR THE PARTICULAR OPENING.
2. FOR THE PARTICULAR OPENING, DETERMINE THE TRIBUTARY WIDTH AND MULLION SPAN. REFERENCE THE SKETCHES ON THIS SHEET FOR MULLION SPAN AND TRIBUTARY WIDTH DETERMINATION.
3. IN THE FIRST COLUMN OF THE TABLE, LOCATE THE MULLION SPAN. IN THE FIRST ROW OF THE TABLE, LOCATE THE TRIBUTARY WIDTH. AT THE INTERSECTION OF THE ROW CONTAINING THE MULLION SPAN AND THE COLUMN CONTAINING THE TRIBUTARY WIDTH, READ THE MULLION LOAD RATING GIVEN IN PSF. THE MULLION LOAD RATING MUST BE EQUAL TO OR GREATER THAN THE DESIGN LOAD REQUIREMENT DETERMINED IN STEP 1 ABOVE.



Documents Prepared By:
Lyndon F. Schmidt
P.E. No. 43409

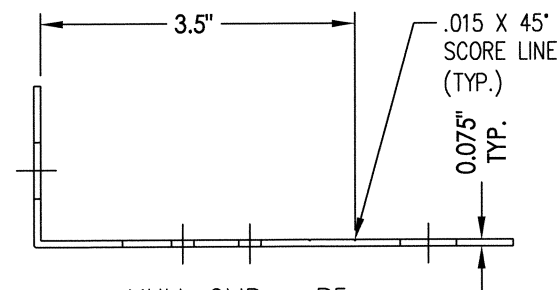
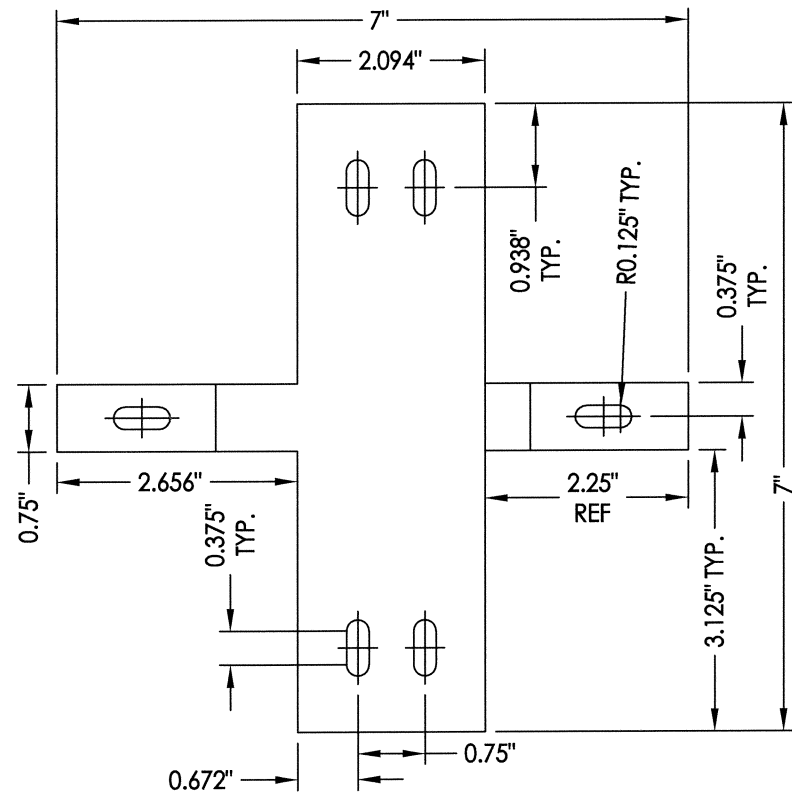
RW BUILDING CONSULTANTS, INC.
P.O. Box 230, Valrico, FL 33595
Phone No.: 813.659.9197
FBPE C.A. No. 9813

PRODUCT:	STRUCTURAL MULLION
PART OR ASSEMBLY:	MULLION LOAD TABLE: ANCHOR PLATE (WOOD/CONCRETE SCREWS)
DATE:	02/28/12
SCALE:	NTS
DWG. BY:	EW
CHK. BY:	LFS
DRAWING NO.:	FL-15267.6
SHEET	4 OF 6

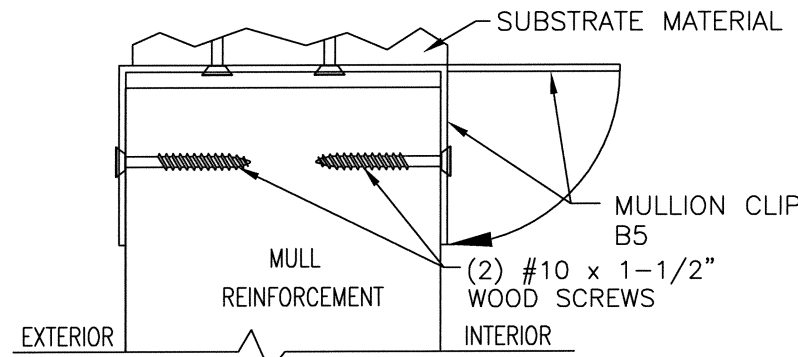
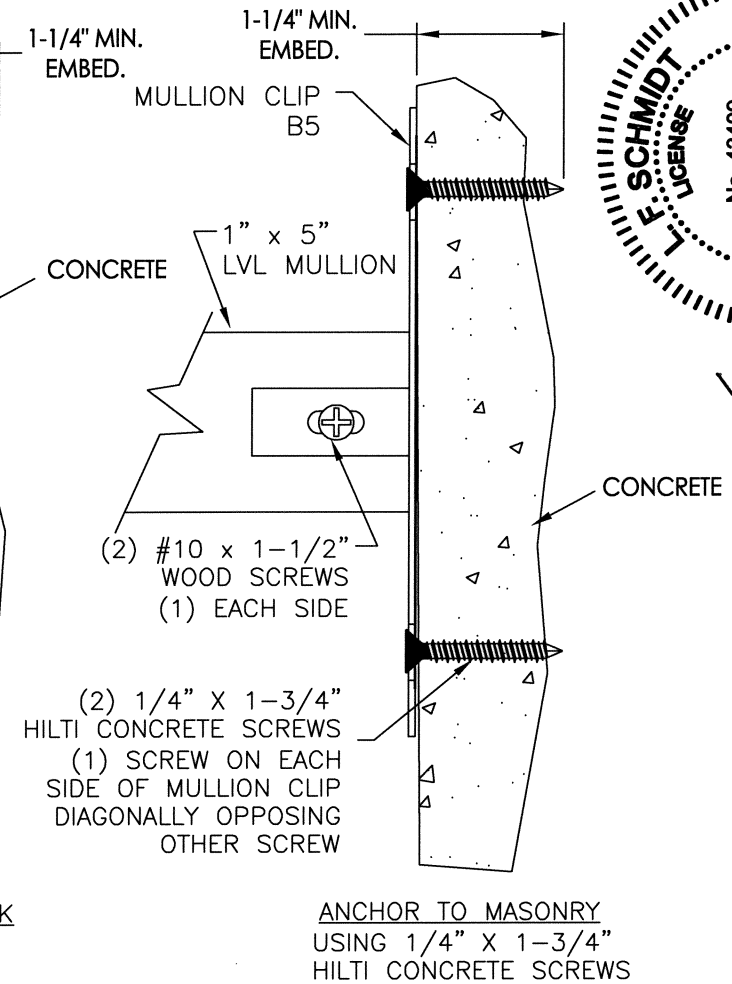
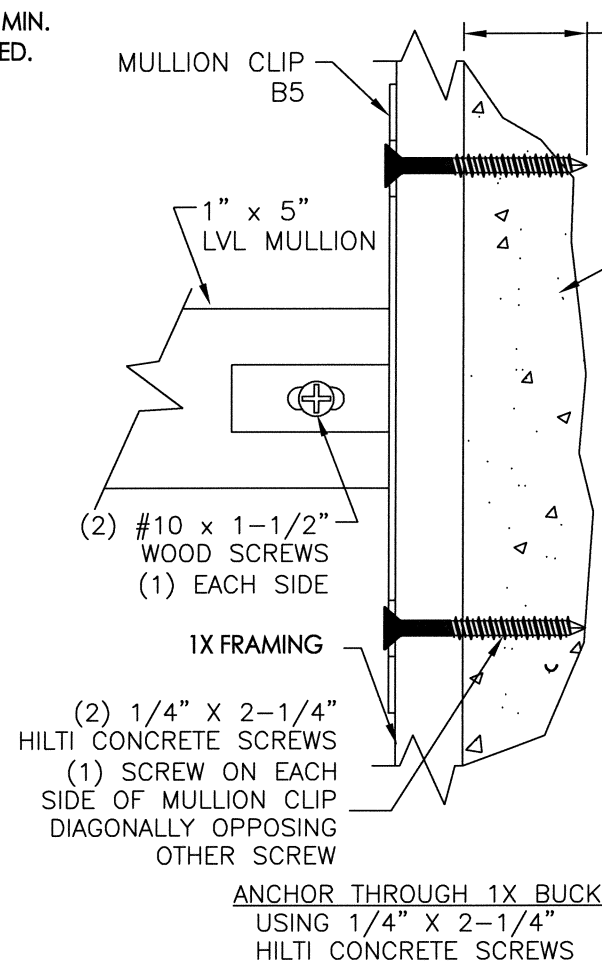
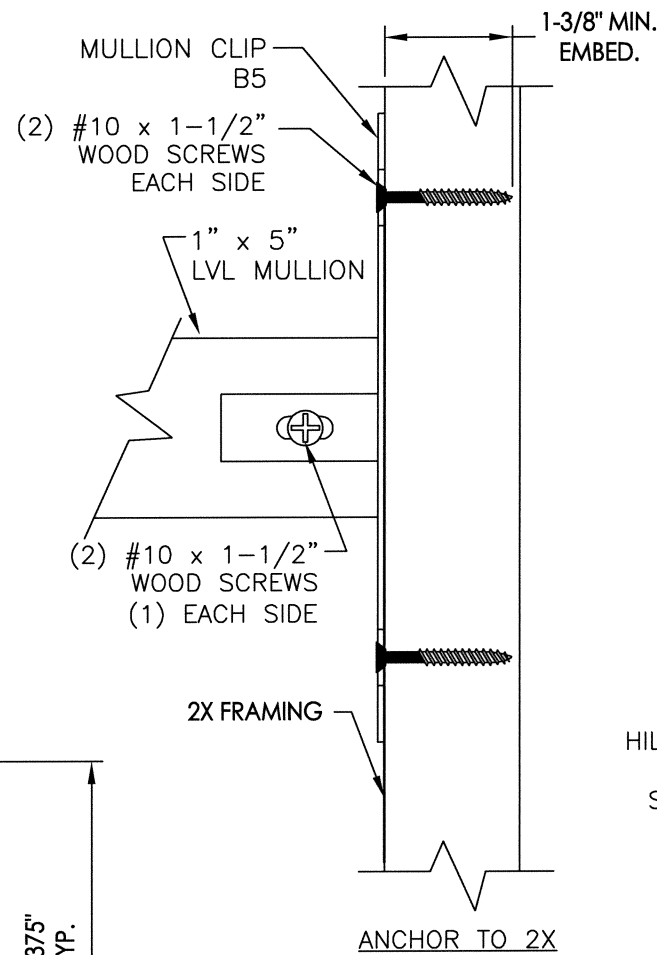


1" x 5" LVL MULLION

Pacific Wood Laminates Douglas-Fir LVL (PacWorks Series)
Minimum Design Properties: F = 2400 psi, E = 1.8 x 10 psi



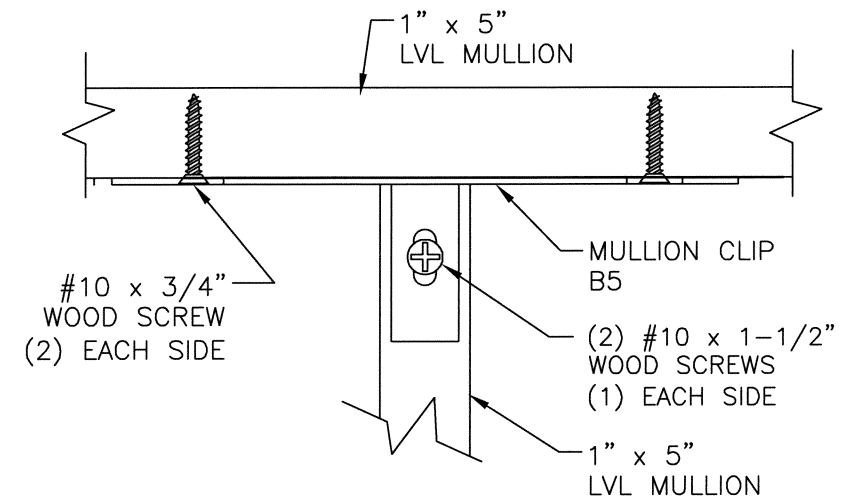
MULLION CLIP - B5
ALUMINUM (6063-T6)



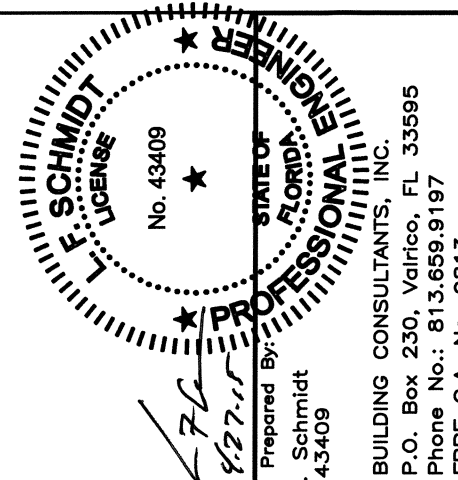
INSTALLATION PROCEDURE
SEE 2X, 1X TO MASONRY & MASONRY ANCHORING ABOVE

MULLION ANCHOR BRACKET ANCHOR SCHEDULE				
ANCHOR	SUBSTRATE	EMBEDMENT (MIN.)	EDGE DISTANCE (MIN.)	CENTER-TO-CENTER SPACING (MIN.)
#10 PFH WOOD SCREW	WOOD	1-3/8"	1"	1"
1/4" Ø PFH HILTI KWIK-CON II+	HOLLOW BLOCK	1-1/4"	2-1/2"	3"
	CONCRETE	1-1/4"	2-1/2"	3"

CONCRETE CONFORMING TO ACI 301 (3,000 PSI MIN.) OR HOLLOW BLOCK CONFORMING TO ASTM C90
WOOD FRAMING (S.G. >= 0.42)



MULLION TO MULLION ANCHORING



Documents Prepared By:
Lyndon F. Schmidt
P.E. No. 43409

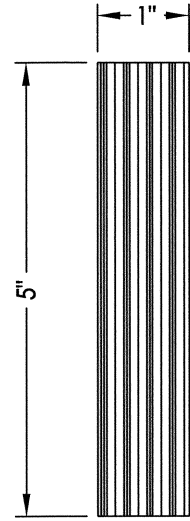
RW
BUILDING CONSULTANTS, INC.
P.O. Box 230, Valrico, FL 33595
Phone No.: 813.659.9197
FBPE C.A. No. 9813

PRODUCT:	STRUCTURAL MULLION
PART OR ASSEMBLY:	ANCHOR CLIP B5: ANCHORING DETAILS

NO.	DATE	DESCRIPTION	BY
1	4/17/15	UPDATE TO 5TH ED. (2014) FBC	LFS

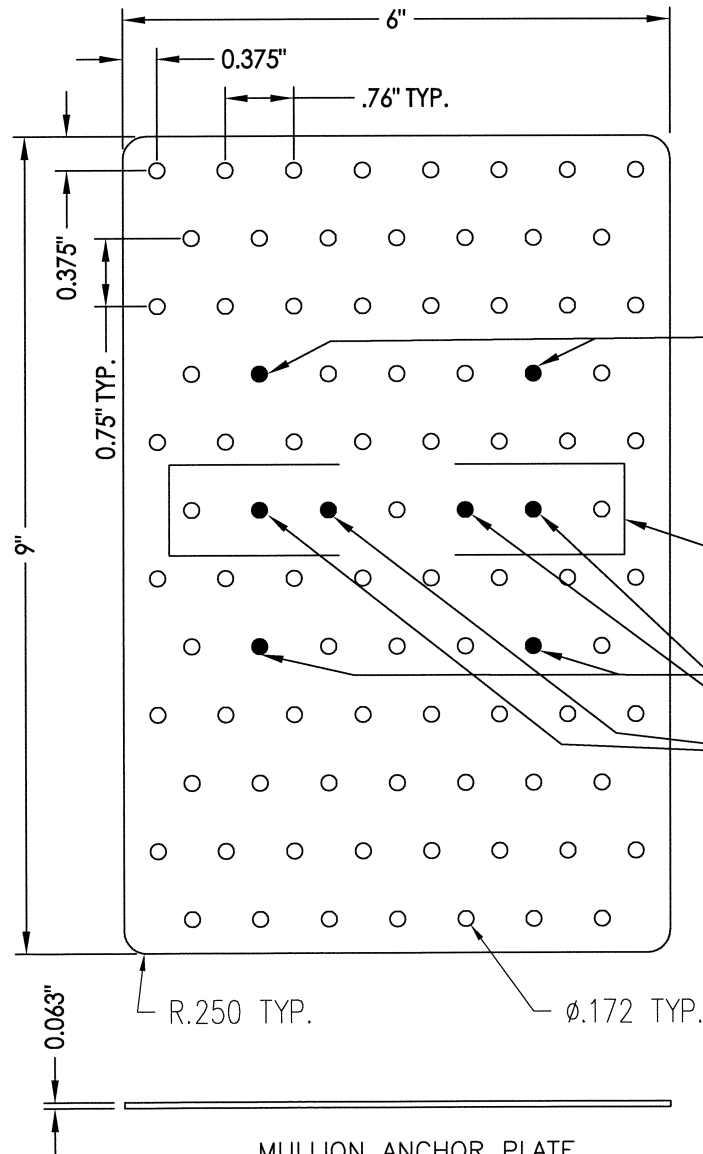
DATE:	02/28/12
SCALE:	NTS
DWG. BY:	EW
CHK. BY:	LFS
DRAWING NO.:	FL-15267.6
SHEET	5 OF 6

R:\Clients\Eagle Window and Door PERMANENT\Florida Product Approvals\FL-15267 - Windows - Mullions\C - Drawings\FL 15267 (2014)\FL-15267.6.dwg, 6.6



1" x 5" LVL MULLION

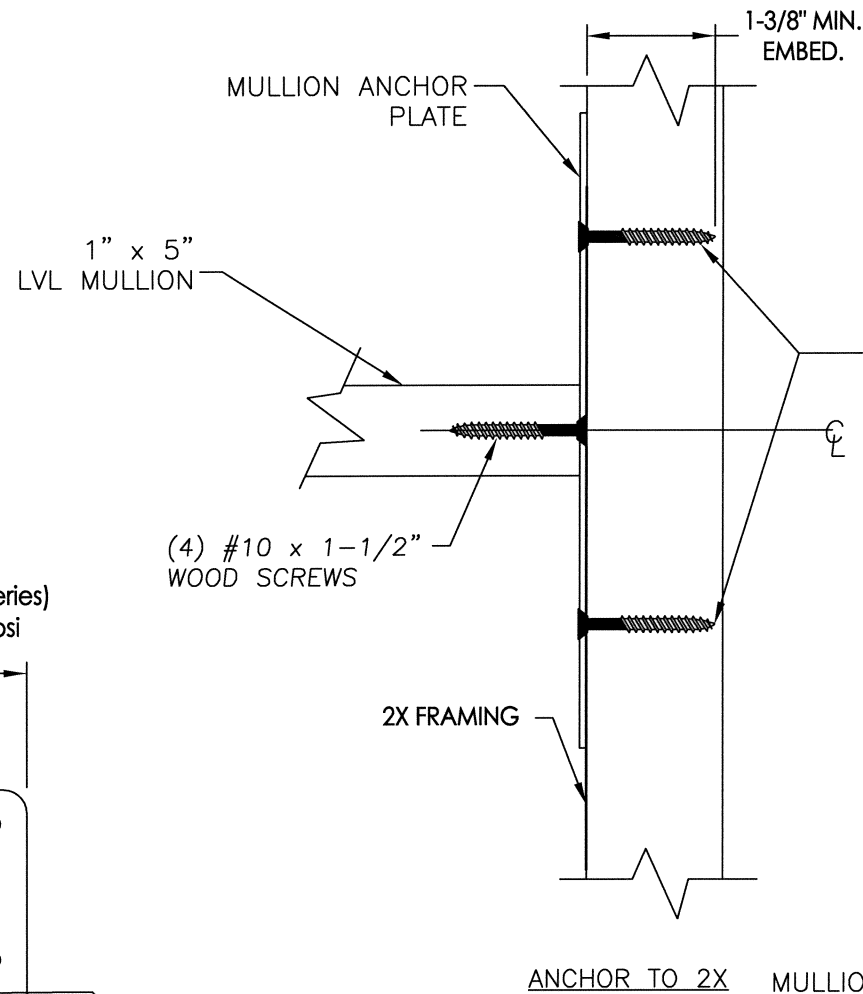
Pacific Wood Laminates Douglas-Fir LVL (PacWorks Series)
Minimum Design Properties: F = 2400 psi, E = 1.8 x 10¹⁰ psi



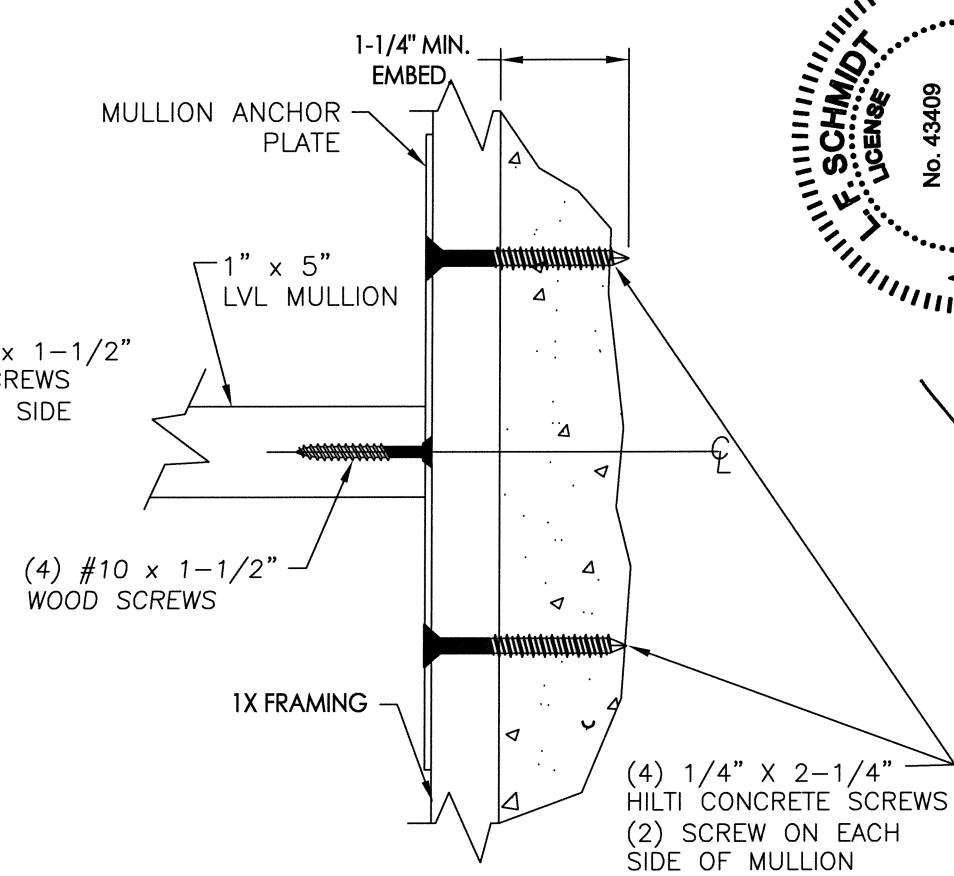
MULLION ANCHOR PLATE
STAINLESS STEEL

MULLION ANCHOR BRACKET ANCHOR SCHEDULE				
ANCHOR	SUBSTRATE	EMBEDMENT (MIN.)	EDGE DISTANCE (MIN.)	CENTER-TO-CENTER SPACING (MIN.)
#10 PFH WOOD SCREW	WOOD	1-3/8"	1"	1"
1/4" Ø PFH HILTI KWIK-CON II+	HOLLOW BLOCK	1-1/4"	2-1/2"	3"
	CONCRETE	1-1/4"	2-1/2"	3"

CONCRETE CONFORMING TO ACI 301 (3,000 PSI MIN.) OR HOLLOW BLOCK CONFORMING TO ASTM C90 WOOD FRAMING (S.G. >= 0.42)

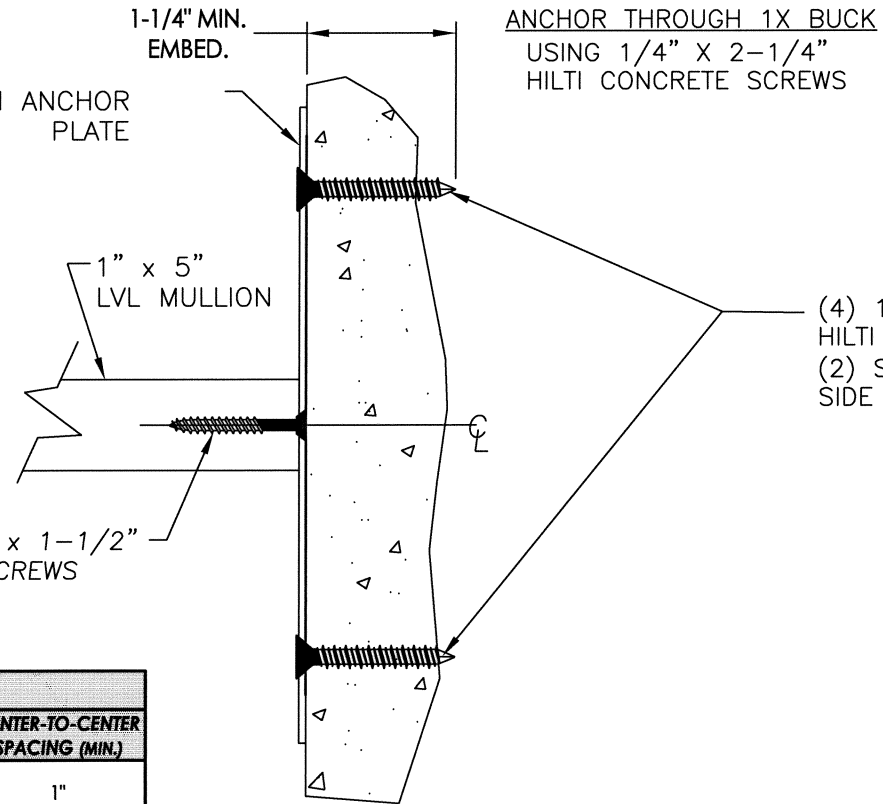


ANCHOR TO 2X

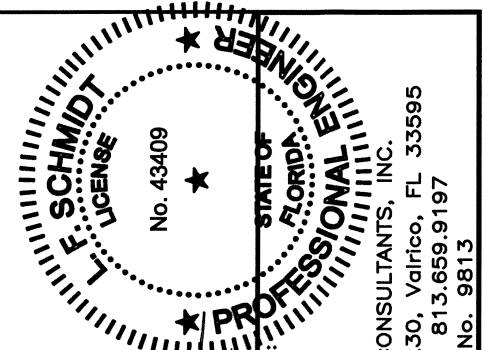


1X FRAMING

(4) 1/4" X 2-1/4" HILTI CONCRETE SCREWS
(2) SCREW ON EACH SIDE OF MULLION



ANCHOR TO MASONRY
USING 1/4" X 1-3/4" HILTI CONCRETE SCREWS



Documents Prepared By:
Lyndon F. Schmidt
P.E. No. 43409

RW BUILDING CONSULTANTS, INC.
P.O. Box 230, Vairico, FL 33595
Phone No.: 813.659.9197
FBPE C.A. No. 9813

PRODUCT:	STRUCTURAL MULLION
PART OR ASSEMBLY:	MULLION ANCHOR PLATE: ANCHORING DETAILS
DATE:	02/28/12
SCALE:	NTS
DWG. BY:	EW
CHK. BY:	LFS
DRAWING NO.:	FL-15267.6
SHEET	6 OF 6